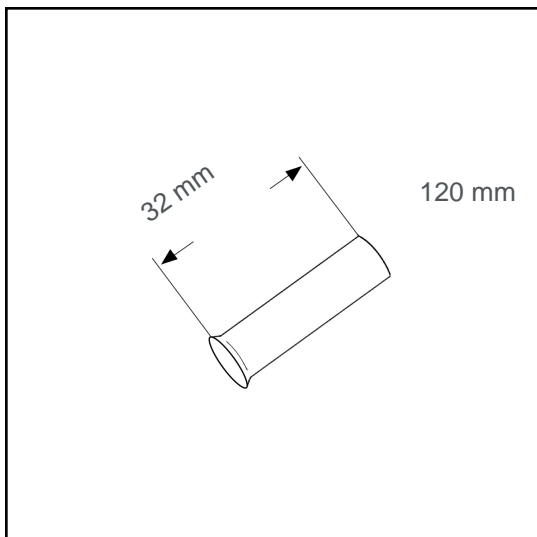


Wire end sleeve uninsulated 120 mm² - 32 mm B120032



Datasheet:

Cross section (mm ²):	120
AWG:	250MCM
Length (mm):	32
Material:	E-Cu
Surface:	tin plated
Minimum thickness of tin coating:	3 µm
Max. Temp:	105°C
REACH/RoHS:	confirmed

Packing sizes:

50 pcs.:	Part no.: 006075
pcs.:	Part no.: 005434

Dimensions (mm):

l1	d1	s1	d2
32	16.5	0.5	19

