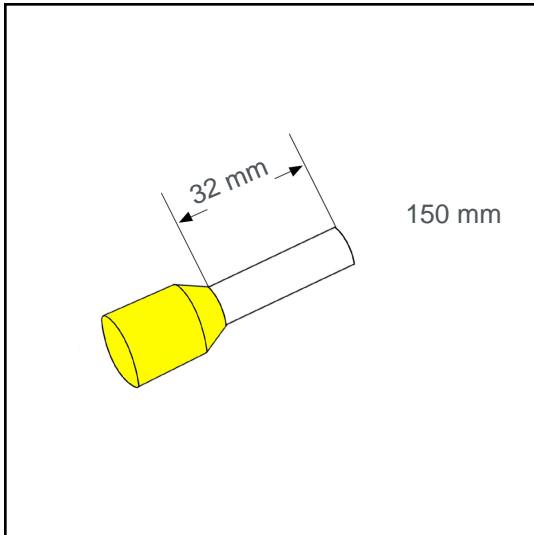


# Wire end sleeve insulated 150 mm<sup>2</sup> - 32 mm A150055



## Datasheet:

Cross section (mm <sup>2</sup> ):	150
AWG:	300MCM
Length (mm):	32
Color:	yellow
Material:	E-Cu / Polypropylene
Surface:	tin plated
Minimum thickness of tin coating:	3 μm
Max. Temp:	105°C
REACH/RoHS:	confirmed

## Packing sizes:

25 pcs.:	Part no.: 005916
pcs.:	Part no.: 005210

## Dimensions (mm):

l1	l2	d1	s1	d2	s2
58	32	18.6	0.5	22.6	1

