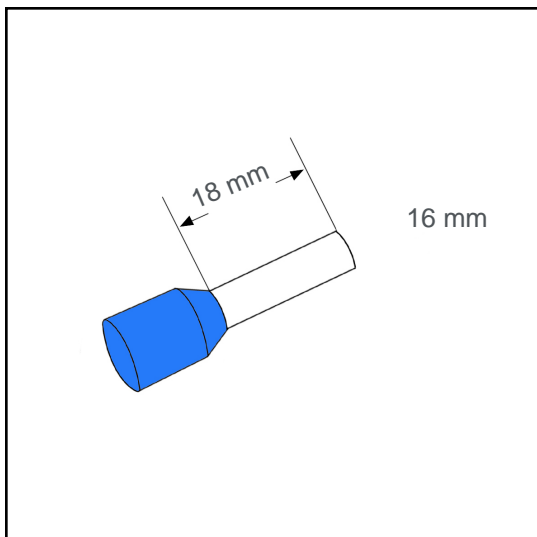


Wire end sleeve insulated 16 mm² - 18 mm A16085



Datasheet:

Cross section (mm ²):	16
AWG:	6
Length (mm):	18
Color:	blue
Material:	E-Cu / Polypropylene
Surface:	tin plated
Minimum thickness of tin coating:	3 µm
Max. Temp:	105°C
REACH/RoHS:	confirmed
Certificates:	UL
DIN:	DIN 46228 T4

Packing sizes:

100 pcs.:	Part no.: 005943
5 x 100 pcs.:	Part no.: 005942
10000 pcs.:	Part no.: 005216

Dimensions (mm):

l1	l2	d1	s1	d2	s2
29	18	6	0.2	8.6	0.4

