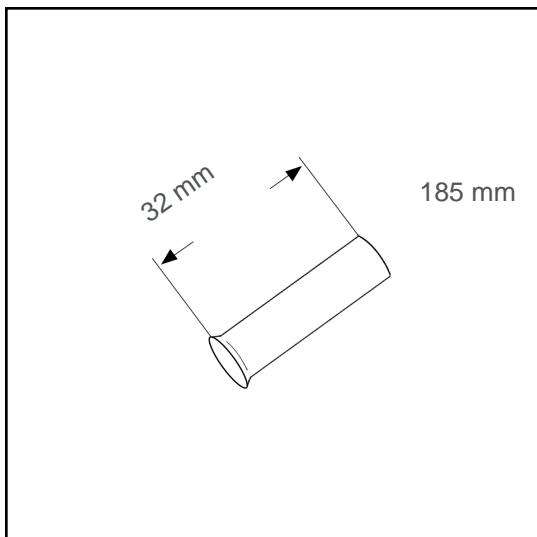


# Wire end sleeve uninsulated 185 mm<sup>2</sup> - 32 mm B185032



## Datasheet:

Cross section (mm <sup>2</sup> ):	185
AWG:	350MCM
Length (mm):	32
Material:	E-Cu
Surface:	tin plated
Minimum thickness of tin coating:	3 µm
Max. Temp:	105°C
REACH/RoHS:	confirmed

## Packing sizes:

25 pcs.:	Part no.: 006086
pcs.:	Part no.: 005444

## Dimensions (mm):

l1	d1	s1	d2
32	20	0.6	23.5

