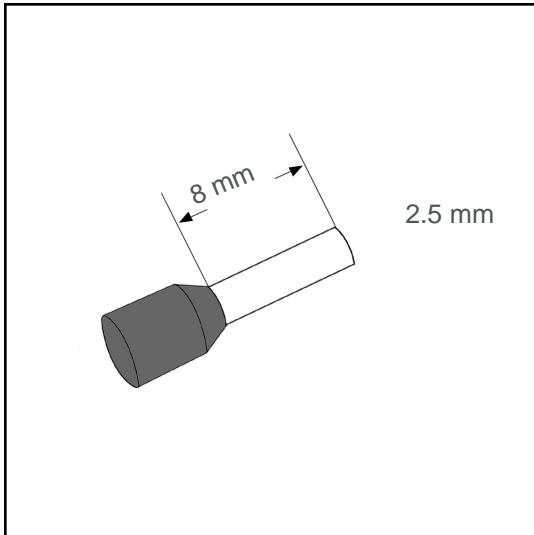


Wire end sleeve insulated 2.5 mm² - 8 mm A02552



Datasheet:

Cross section (mm ²):	2.5
AWG:	14
Length (mm):	8
Color:	grey
Material:	E-Cu / Polypropylene
Surface:	tin plated
Minimum thickness of tin coating:	3 µm
Max. Temp:	105°C
REACH/RoHS:	confirmed

Packing sizes:

500 pcs.:	Part no.: 005809
10 x 100 pcs.:	Part no.: 005808
50000 pcs.:	Part no.: 005183

Dimensions (mm):

l1	l2	d1	s1	d2	s2
15	8	2.3	0.15	4.1	0.3

