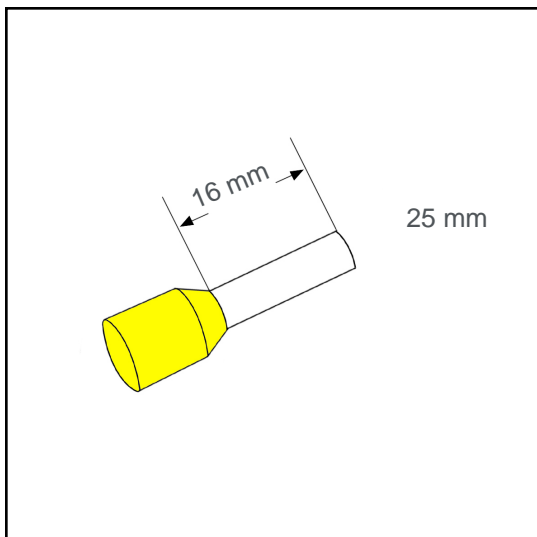


Wire end sleeve insulated 25 mm² - 16 mm A25055



Datasheet:

Cross section (mm ²):	25
AWG:	4
Length (mm):	16
Color:	yellow
Material:	E-Cu / Polypropylene
Surface:	tin plated
Minimum thickness of tin coating:	3 µm
Max. Temp:	105°C
REACH/RoHS:	confirmed
Certificates:	UL
DIN:	DIN 46228 T4

Packing sizes:

50 pcs.:	Part no.: 005953
5 x 50 pcs.:	Part no.: 005952
10000 pcs.:	Part no.: 005219

Dimensions (mm):

l1	l2	d1	s1	d2	s2
29	16	7.5	0.2	10.9	0.5

