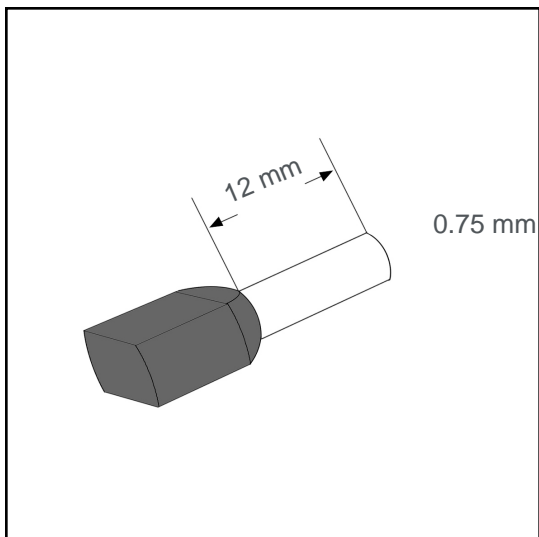


# Wire end sleeve insulated twin 0.75 mm<sup>2</sup> - 12 mm A00785TWIN



## Datasheet:

|                                      |                      |
|--------------------------------------|----------------------|
| Cross section (mm <sup>2</sup> ):    | 0.75                 |
| AWG:                                 | 2x18                 |
| Length (mm):                         | 12                   |
| Color:                               | grey                 |
| Material:                            | E-Cu / Polypropylene |
| Surface:                             | tin plated           |
| Minimum thickness<br>of tin coating: | 3 µm                 |
| Max. Temp:                           | 105°C                |
| REACH/RoHS:                          | confirmed            |
| Certificates:                        | UL                   |

for two wires in one ferrule

## Packing sizes:

|                |                  |
|----------------|------------------|
| 500 pcs.:      | Part no.: 005704 |
| 10 x 100 pcs.: | Part no.: 005703 |
| 50000 pcs.:    | Part no.: 005252 |

## Dimensions (mm):

|    |    |      |      |     |     |     |
|----|----|------|------|-----|-----|-----|
| l1 | l2 | d1   | s1   | d2  | s2  | d3  |
| 19 | 12 | 1.73 | 0.15 | 2.7 | 0.3 | 5.4 |

