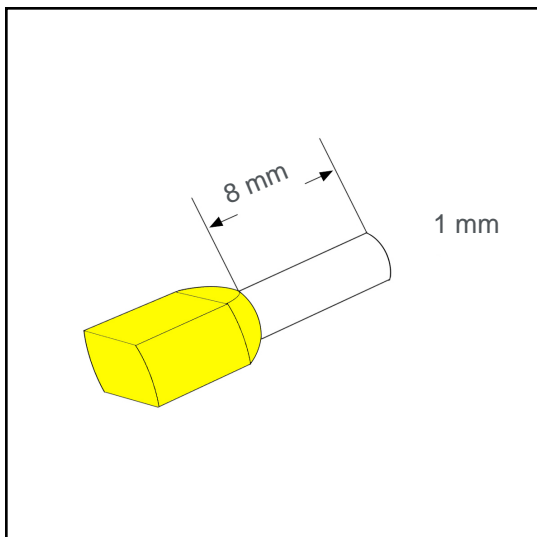


# Wire end sleeve insulated twin 1 mm<sup>2</sup> - 8 mm A01057TWIN



## Datasheet:

Cross section (mm <sup>2</sup> ):	1
AWG:	2x18
Length (mm):	8
Color:	yellow
Material:	E-Cu / Polypropylene
Surface:	tin plated
Minimum thickness of tin coating:	3 µm
Max. Temp:	105°C
REACH/RoHS:	confirmed

for two wires in one ferrule

## Packing sizes:

500 pcs.:	Part no.: 005733
10 x 100 pcs.:	Part no.: 005732
50000 pcs.:	Part no.: 005255

## Dimensions (mm):

l1	l2	d1	s1	d2	s2	d3
15	8	2.05	0.15	3.3	0.3	5.3

