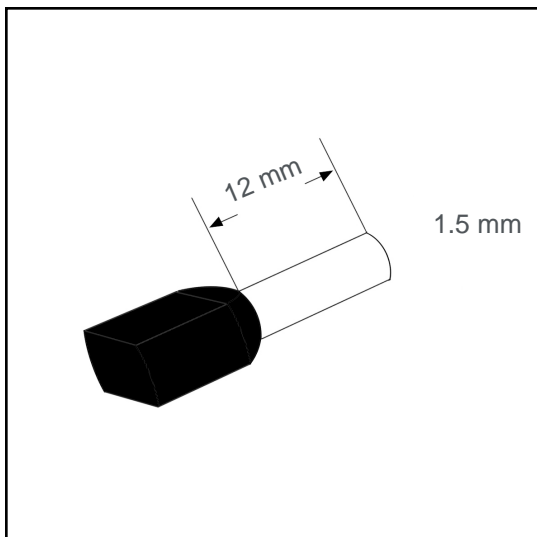


Wire end sleeve insulated twin 1.5 mm² - 12 mm A01575TWIN



Datasheet:

Cross section (mm ²):	1.5
AWG:	2x16
Length (mm):	12
Color:	black
Material:	E-Cu / Polypropylene
Surface:	tin plated
Minimum thickness of tin coating:	3 µm
Max. Temp:	105°C
REACH/RoHS:	confirmed
Certificates:	UL

for two wires in one ferrule

Packing sizes:

500 pcs.:	Part no.: 005795
10 x 100 pcs.:	Part no.: 005794
40000 pcs.:	Part no.: 005264

Dimensions (mm):

l1	l2	d1	s1	d2	s2	d3
20	12	2.3	0.15	3.6	0.3	6.6

