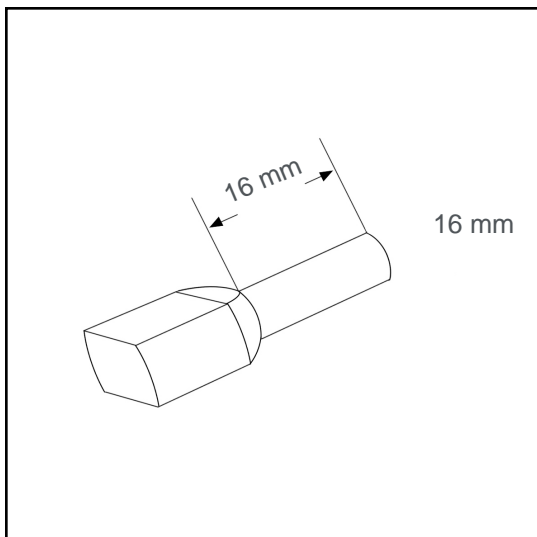


Wire end sleeve insulated twin 16 mm² - 16 mm A16055TWIN



Datasheet:

Cross section (mm ²):	16
AWG:	2x6
Length (mm):	16
Color:	blue
Material:	E-Cu / Polypropylene
Surface:	tin plated
Minimum thickness of tin coating:	3 µm
Max. Temp:	105°C
REACH/RoHS:	confirmed
Certificates:	UL

for two wires in one ferrule

Packing sizes:

50 pcs.:	Part no.: 005928
5 x 50 pcs.:	Part no.: 005927
2500 pcs.:	Part no.: 005284

Dimensions (mm):

l1	l2	d1	s1	d2	s2	d3
31	16	8.5	0.2	8.8	0.6	16.8

