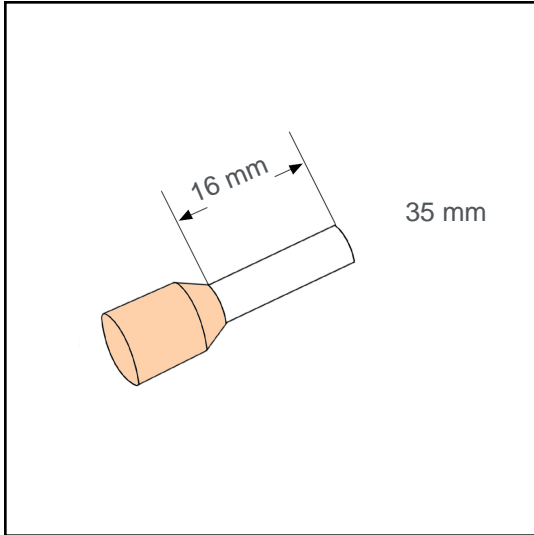


# Wire end sleeve insulated 35 mm<sup>2</sup> - 16 mm A35057



## Datasheet:

Cross section (mm <sup>2</sup> ):	35
AWG:	2
Length (mm):	16
Color:	beige
Material:	E-Cu / Polypropylene
Surface:	tin plated
Minimum thickness of tin coating:	3 µm
Max. Temp:	105°C
REACH/RoHS:	confirmed

## Packing sizes:

50 pcs.:	Part no.: 005971
5 x 50 pcs.:	Part no.: 005970
pcs.:	Part no.: 005228

## Dimensions (mm):

l1	l2	d1	s1	d2	s2
30	16	8.5	0.2	12.3	0.5

