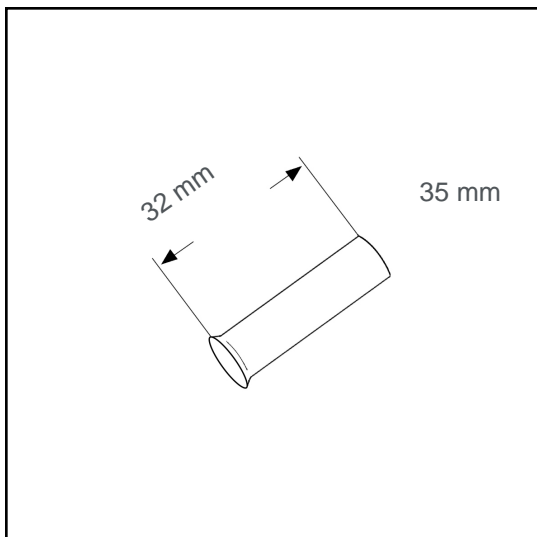


# Wire end sleeve uninsulated 35 mm<sup>2</sup> - 32 mm

## B35032



### Datasheet:

|                                   |              |
|-----------------------------------|--------------|
| Cross section (mm <sup>2</sup> ): | 35           |
| AWG:                              | 2            |
| Length (mm):                      | 32           |
| Material:                         | E-Cu         |
| Surface:                          | tin plated   |
| Minimum thickness of tin coating: | 3 µm         |
| Max. Temp:                        | 105°C        |
| REACH/RoHS:                       | confirmed    |
| Certificates:                     | UL           |
| DIN:                              | DIN 46228 T1 |

### Packing sizes:

|           |                  |
|-----------|------------------|
| 100 pcs.: | Part no.: 006101 |
| pcs.:     | Part no.: 005458 |

### Dimensions (mm):

| l1 | d1  | s1  | d2 |
|----|-----|-----|----|
| 32 | 8.3 | 0.2 | 11 |

