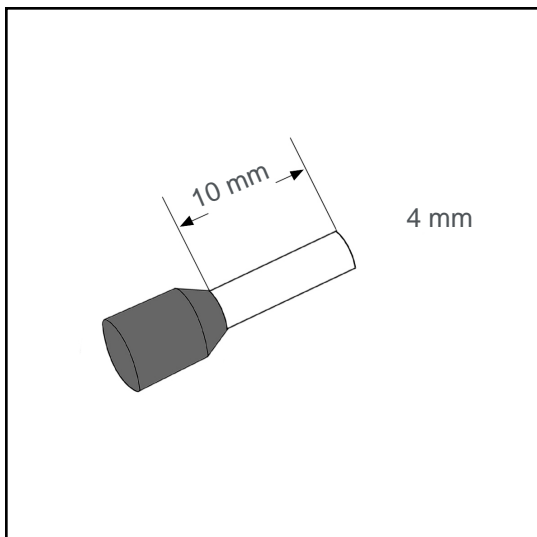


# Wire end sleeve insulated 4 mm<sup>2</sup> - 10 mm

## A04055



### Datasheet:

Cross section (mm <sup>2</sup> ):	4
AWG:	12
Length (mm):	10
Color:	grey
Material:	E-Cu / Polypropylene
Surface:	tin plated
Minimum thickness of tin coating:	3 µm
Max. Temp:	105°C
REACH/RoHS:	confirmed
Certificates:	UL
DIN:	DIN 46228 T4

### Packing sizes:

500 pcs.:	Part no.: 005855
10 x 100 pcs.:	Part no.: 005854
50000 pcs.:	Part no.: 005192

### Dimensions (mm):

l1	l2	d1	s1	d2	s2
17.5	10	2.9	0.2	4.9	0.3

