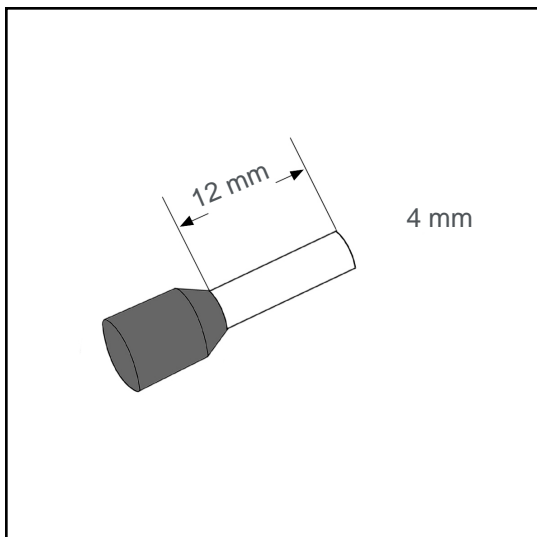


Wire end sleeve insulated 4 mm² - 12 mm A04075



Datasheet:

Cross section (mm ²):	4
AWG:	12
Length (mm):	12
Color:	grey
Material:	E-Cu / Polypropylene
Surface:	tin plated
Minimum thickness of tin coating:	3 µm
Max. Temp:	105°C
REACH/RoHS:	confirmed
Certificates:	UL
DIN:	DIN 46228 T4

Packing sizes:

100 pcs.:	Part no.: 005862
10 x 100 pcs.:	Part no.: 005861
50000 pcs.:	Part no.: 005194

Dimensions (mm):

l1	l2	d1	s1	d2	s2
19.5	12	2.9	0.2	4.9	0.3

