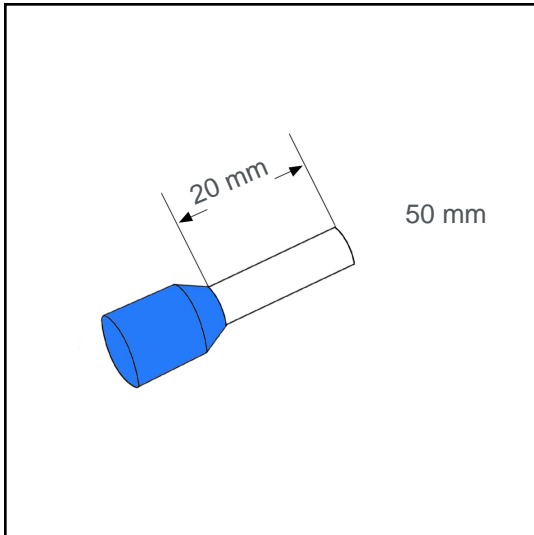


Wire end sleeve insulated 50 mm² - 20 mm A50055



Datasheet:

Cross section (mm ²):	50
AWG:	1/0
Length (mm):	20
Color:	blue
Material:	E-Cu / Polypropylene
Surface:	tin plated
Minimum thickness of tin coating:	3 µm
Max. Temp:	105°C
REACH/RoHS:	confirmed
Certificates:	UL
DIN:	DIN 46228 T4

Packing sizes:

50 pcs.:	Part no.: 005981
2 x 50 pcs.:	Part no.: 005980
pcs.:	Part no.: 005233

Dimensions (mm):

l1	l2	d1	s1	d2	s2
36	20	10.5	0.3	14.8	0.6

