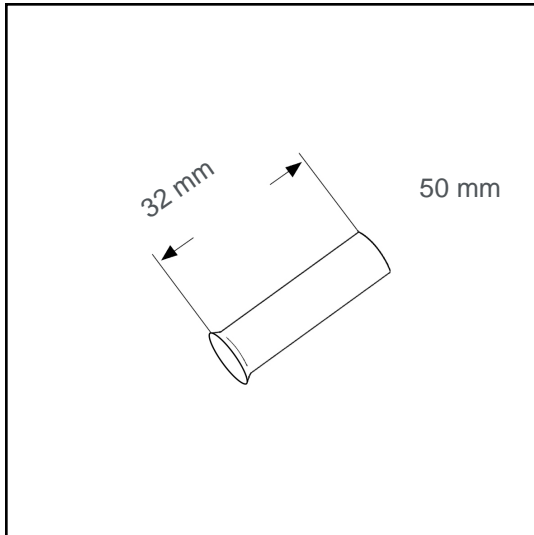


Wire end sleeve uninsulated 50 mm² - 32 mm B50032



Datasheet:

Cross section (mm ²):	50
AWG:	1/0
Length (mm):	32
Material:	E-Cu
Surface:	tin plated
Minimum thickness of tin coating:	3 µm
Max. Temp:	105°C
REACH/RoHS:	confirmed
Certificates:	UL
DIN:	DIN 46228 T1

Packing sizes:

100 pcs.:	Part no.: 006105
pcs.:	Part no.: 005462

Dimensions (mm):

l1	d1	s1	d2
32	10.3	0.3	13

