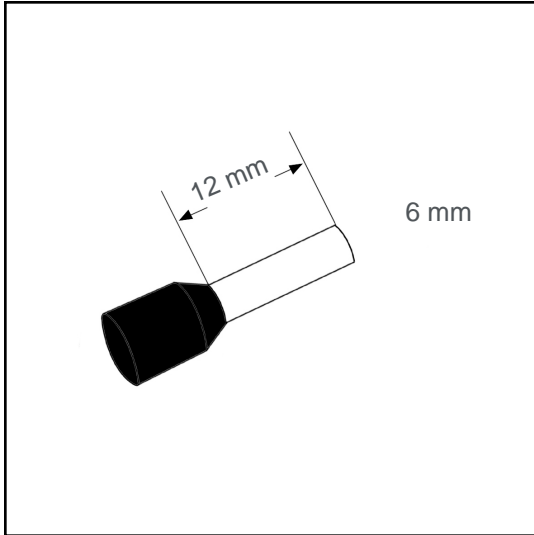


# Wire end sleeve insulated 6 mm<sup>2</sup> - 12 mm

## A06057



### Datasheet:

Cross section (mm <sup>2</sup> ):	6
AWG:	10
Length (mm):	12
Color:	black
Material:	E-Cu / Polypropylene
Surface:	tin plated
Minimum thickness of tin coating:	3 µm
Max. Temp:	105°C
REACH/RoHS:	confirmed

### Packing sizes:

100 pcs.:	Part no.: 005881
10 x 100 pcs.:	Part no.: 005880
50000 pcs.:	Part no.: 005199

### Dimensions (mm):

l1	l2	d1	s1	d2	s2
20	12	3.6	0.2	6.1	0.3

