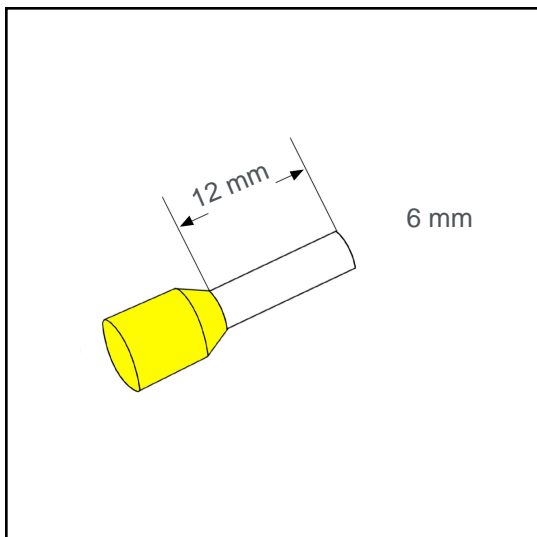


# Wire end sleeve insulated 6 mm<sup>2</sup> - 12 mm A06055



## Datasheet:

Cross section (mm <sup>2</sup> ):	6
AWG:	10
Length (mm):	12
Color:	yellow
Material:	E-Cu / Polypropylene
Surface:	tin plated
Minimum thickness of tin coating:	3 µm
Max. Temp:	105°C
REACH/RoHS:	confirmed
Certificates:	UL
DIN:	DIN 46228 T4

## Packing sizes:

100 pcs.:	Part no.: 005876
10 x 100 pcs.:	Part no.: 005875
50000 pcs.:	Part no.: 005198

## Dimensions (mm):

l1	l2	d1	s1	d2	s2
20	12	3.6	0.2	6.1	0.3

