

# Technical data sheet

## Wall clamp / central hanger

Item no. 6016421



Wall fixing for direct fixing of mesh cable trays of side height 55 mm on the wall.

As wall fastening up to max. mesh cable tray width 200 mm.

As centre suspension up to max. mesh cable tray width 200 mm.

As a pendulum suspension from a width of 300 mm.



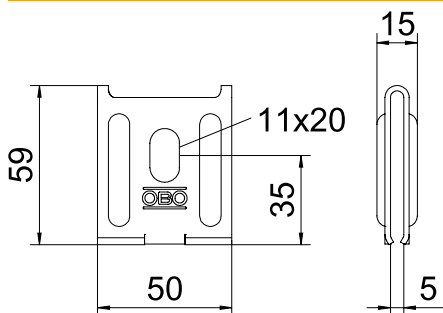
**VA** Stainless steel, rustproof 1.4301

**2B** Bright, reworked

### Master data

Item no.	6016421
Type	K12 1818 A2
Description 1	Wall fastener
Description 2	for mesh cable tray
Dimension	50x59
Material	Stainless steel, material no. 1.4301
Material symbol	A2
Surface	Bright, reworked
Surface symbol	2B
Smallest sales unit (VG)	25 Piece
Weight	7,70 kg/100 pc.

### Technical data



Rustproof steel, pickled