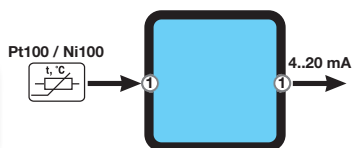




# K120RTD

## PT100, NI100 LOOP POWERED CONVERTER



K120RTD is a converter for Thermoresistance PT100/Ni100 with 2,3,4 wires and convert / isolate it into 4..20mA loop powered signal. It's completely configurable through dip switches or PC software. The output signal is not isolated from the input one.

### TECHNICAL SPECIFICATIONS

#### General Data

Power supply	5..30 Vdc
Power consumption	< 660 mW
Isolation	-
Transducer Power Supply	-
Accuracy	0,1%
Response time	About 220 ms
Status Indicators	Power supply, error
Setting	Dip Switches EASY LP (PC software)
Mounting	35 mm DIN rail guide
Protection Degree	IP20
Operating Temperature	-20..+65 °C
Dimension (W x H x D)	6,2 x 93 x 102,5 mm

#### Input

Channel Numbers	1
RTD	Pt100, Ni100 Measure 2, 3, 4 wires

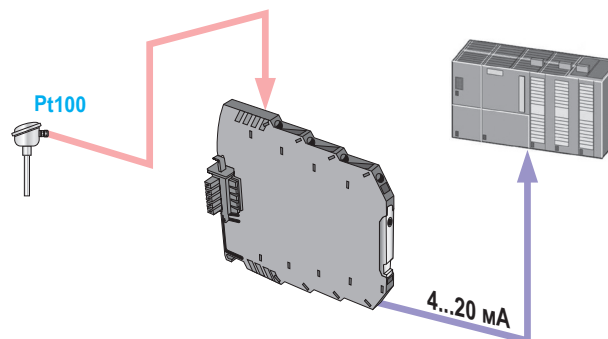
#### Output

Channel Numbers	1
Current	4...20mA (loop powered)

#### Standard

Approval	CE
Norms	EN 50081-2; EN 55011; EN 50082-2; EN 61000-2-2/4; EN 50140/141; EN 61010-1

### APPLICATION NOTE



### ORDER CODES

Code	Description
K120RTD	Pt100, Ni100 loop powered converter

### ACCESSORIES & SOFTWARE



**EASY USB**  
USB ↔ UART TTL CONVERTER  
pg. 60



**EASY\_LP**  
Programming software  
pg. 114

### SIMILAR PRODUCTS



**Z109REG2**  
Universal converter to DC current/voltage isolator converter with alarm output  
pg. 78



**T121**  
loop powered universal transmitter  
pg. 117



**K121**  
Loop powered universal converter  
pg. 102



**K109PT1000**  
PT1000 to DC current/voltage isolator/converter  
pg. 108