


”Weatherproof“ for outdoor installation





### KF 1010 G

- 2.5-10 mm<sup>2</sup>, Cu 3~

IP  
66/67

IP  
69



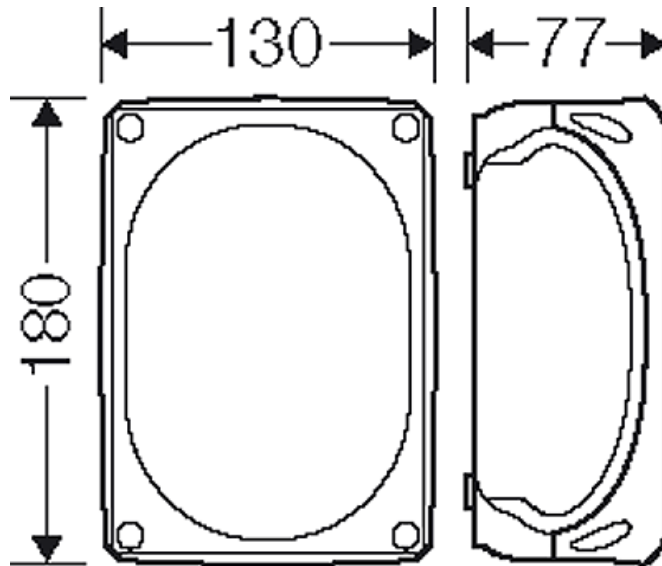


- terminal with 2 clamping units per pole
- 5-pole per pole 6 x 2.5 mm<sup>2</sup> r / f, 4 x 4 mm<sup>2</sup> r / f, 4 x 6 mm<sup>2</sup> r / f, 4 x 10 mm<sup>2</sup> r / f, 2 x 16 mm<sup>2</sup> s / f
- with two cable entries M 25 from the rear side
- cable entries via knockouts, order AKM separately (see cable entry systems LES)
- "weatherproof" resistant to weather influences (UV due to solar radiation, protected against rainwater, temperature resistant, impact resistant, etc.)
- saltwater-proof
- "offshore applications"
- lid fasteners sealable without accessories
- retaining strap and external brackets for wall fixing included
- colour: grey, RAL 7035

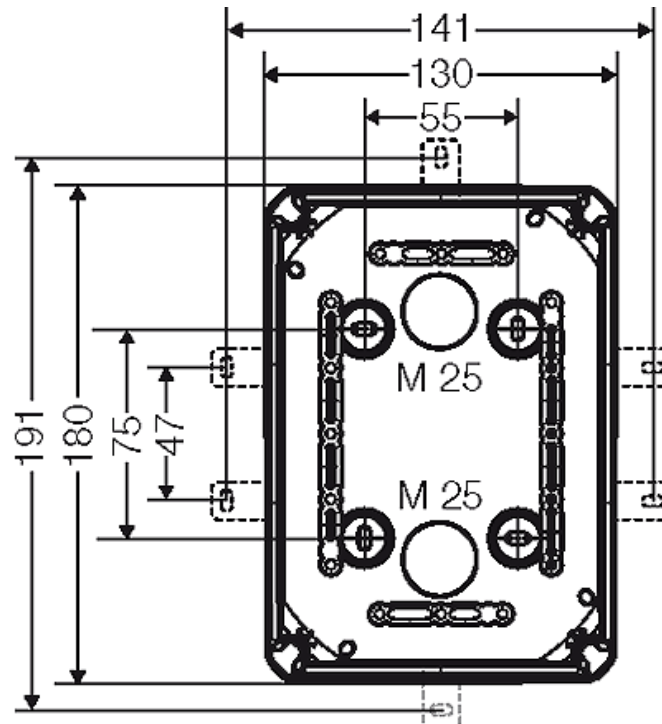
|                                |   |
|--------------------------------|---|
| rated insulation voltage       | U <sub>i</sub> = 690 V a.c./d.c.  |
| rated current:                 | 63 A  |
| material                       | PC-GFS (polycarbonate)  |
| degree of protection           | IP 66 / IP 67 / IP 69<br>IP 67, temporary submersion<br>IP 69, water pressure max. 100 bar, water temperature max. 80 °C, distance ≥ 0.15 m |
| width                          | 180 mm  |
| height                         | 130 mm  |
| depth                          | 77 mm   |
| weight                         | 0,389 kg  |
| tightening torque for terminal | 2.0 Nm  |
| in accordance with             | IEC 60670-22  |
| in accordance with             | DNV GL - Certificate No: TAE00000EE   |

**Drawings**

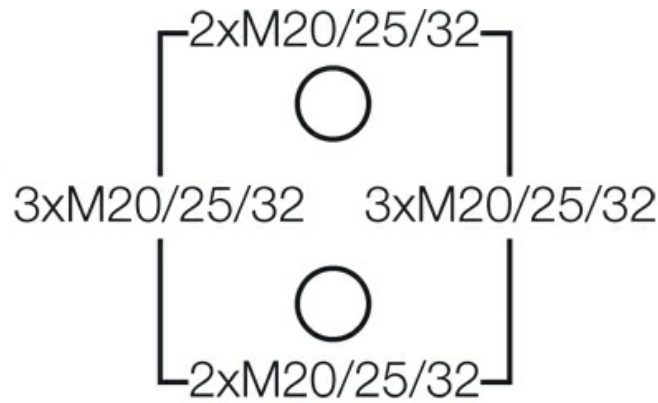
Dimension drawing



Detail mass



Box walls



## Operating and ambient conditions

|  |   |
|--|---|
| Application area   | Suitable for outdoor installation (harsh environment and/or outdoor).<br>To reduce the formation and accumulation of condensed water see technical information.   |
| Resistant to occasional cleaning procedures (direct jet) | Resistance to occasional cleaning procedures (direct jet) with high-pressure cleaner without cleaning additives, water pressure: max 100 bar, water temperature: max 80 °C, distance ≥ 0.15 m, in accordance with DIN EN 60529:2014-09 (IEC 60529:2013) = IP 69. Only with cable entries HENSEL AKM or ASS. |
| Ambient temperature                                      | Average value over 24 hours + 55 °C<br>Maximum value + 70 °C<br>Minimum value - 25 °C   |
| Relative humidity  | 50% at 40° C<br>short-time<br>100% at 25° C   |
| Fire protection in the event of internal faults          | Demands placed on electrical devices from standards and laws<br>Minimum requirements<br>- Glow wire test in accordance with IEC 60695-2-11:<br>- 650°C for boxes and cable glands<br>- 850°C for parts of insulating material necessary to retain current carrying parts in position                        |
| Burning behaviour  | Glow wire test IEC 60695-2-11: 960 °C<br>UL Subject 94: V-0<br>flame-retardant<br>self-extinguishing  |
| Degree of protection against mechanical load             | IK09 (10 Joule)   |
| Toxic behaviour  | halogen-free<br>silicone-free<br>"halogen-free" in accordance with the examination of the cables and insulated wires - corrosiveness of fumes - as per IEC 60754-2  |
| Note:  | For material properties see technical data.   |