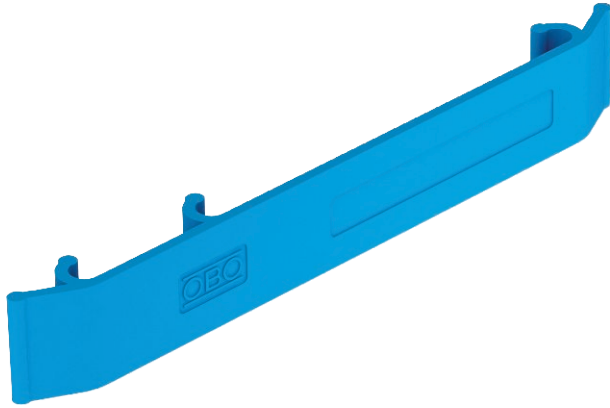


# Technical data sheet

## Identification clip

Item no. 6017714



Identification clip for screwless fastening on mesh cable trays.



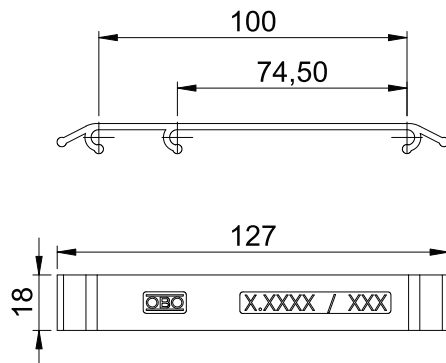
**PA** Polyamide

Additional product text, instruction  
The identification clip is fastened to the mesh cable tray without screws simply by attaching it.

### Master data

Item no.	6017714
Type	KS GR LBL
Description 1	Identification plate
Description 2	for mesh cable trays
Dimension	127x18
Colour	Light blue
RAL number	5012
Material	Polyamide
Material symbol	PA
Smallest sales unit (VG)	10,00 Piece
Weight	0,76 kg/100 pc.

### Technical data



Length	127,00 mm
Width	18,00 mm
Fastening, self-adhesive	<input type="checkbox"/>
With warning/information symbol	<input type="checkbox"/>
With warning/information text	<input checked="" type="checkbox"/>
Phosphorescent	<input type="checkbox"/>