
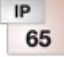



KV-Empty boxes



KV 9331

- degree of protection: IP 65

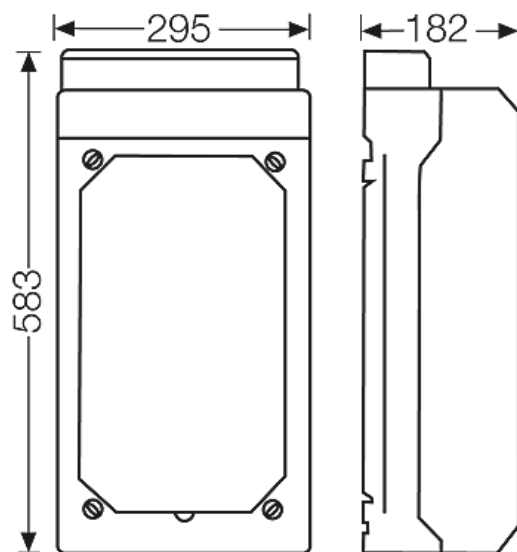



- for installation of devices via installed mounting plate
- max. installation depth: 160 mm
- thermal power dissipation capability see diagram in the index technical data
- with transparent lid
- fastener for tool operation
- sealable
- with cable entry cover
- cable entry via integrated elastic membranes
- colour: grey, RAL 7035


rated insulation voltage	$U_i = 1000 \text{ V a.c./d.c.}$
impact strength	IK 08 (5 Joule)
static load	mounting plate or DIN rail = 9.2 kg lid = 3.2 kg
power dissipation capability at $\Delta\theta = 40 \text{ K}$	$P_{de} = 63 \text{ W}$
relative power dissipation capability in watts per K	$p_{de} = 1.575 \text{ watts per K}$
protection class	II
material	PS (Polystyrene)
width	295 mm
height	583 mm
depth	182 mm
weight	3,395 kg

Drawings

Dimension drawing




KV-Empty boxes



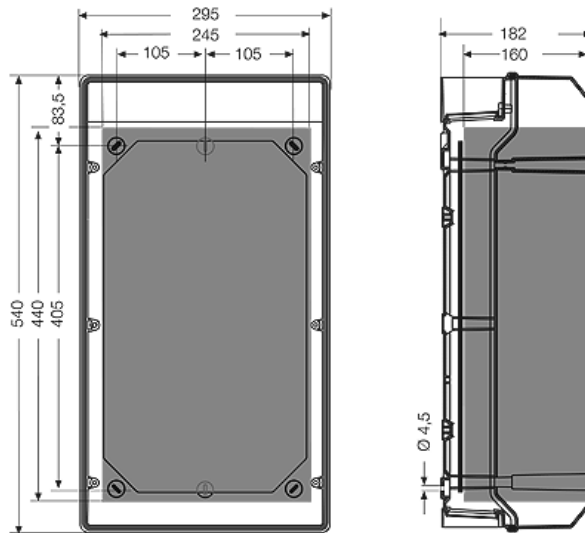
KV 9331

- degree of protection: IP 65

IP
65



Detail mass



Box walls


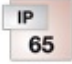

- 8x \varnothing 7-12 mm
 8x \varnothing 7-14 mm
 4x \varnothing 12-20 mm
 1x \varnothing 16,5-29 mm

8x \varnothing 7-12 mm
 8x \varnothing 7-14 mm
 4x \varnothing 12-20 mm
 1x \varnothing 16,5-29 mm

Operating and ambient conditions

Application area	Suitable for indoor installation and outdoor installation, protected against weather influences However, pay attention to the climatic effects on the installed equipment, for example, high or low ambient temperatures or formation of condensed water see technical information
Ambient temperature	Maximum value + 60 °C Minimum value - 25 °C
Fire protection in the event of internal faults	Demands placed on electrical devices from standards and laws Minimum requirements - Glow wire test in accordance with IEC 60695-2-11: - 650°C for boxes and cable glands - 850°C for parts of insulating material necessary to retain current carrying parts in position
Burning behaviour	Glow wire test IEC 60695-2-11: 750 °C UL Subject 94: V-2 flame-retardant

KV-Empty boxes

	<p>KV 9331</p>		
<ul style="list-style-type: none"> • degree of protection: IP 65 			

self-extinguishing

Degree of protection against mechanical load	IK08 (5 Joule)
Toxic behaviour	halogen-free silicone-free "halogen-free" in accordance with the examination of the cables and insulated wires - corrosiveness of fumes - as per IEC 60754-2
Note:	For material properties see technical data.