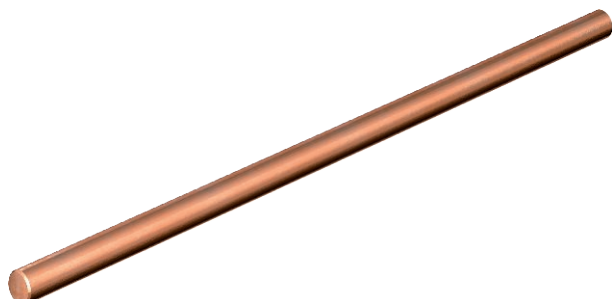


# Technical data sheet

## Accessories for lightning current arrester

Item no. 5096884



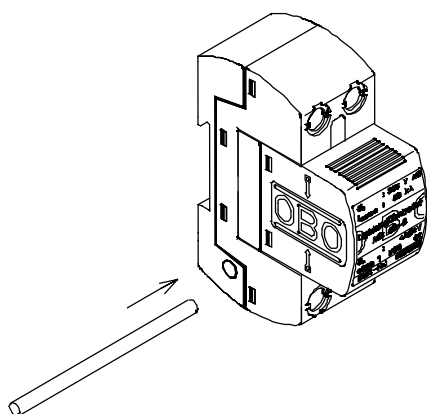
Copper bridge 16 mm<sup>2</sup>, suitable for bridging MC arresters in side channel.

- V3 for 3-pole circuits
- V4 for 4-pole circuits



**Cu** Copper

### Dimensions



### Master data

Item no.	5096884
Type	MC V3
Description 1	Connecting bridge
Description 2	for LightningController
Dimension	3-polig
Material	Copper
Material symbol	Cu
Smallest sales unit (VG)	10,00 Piece
Weight	1,70 kg/100 pc.

### Technical data

Protection rating	IP20
Protection rating	IP 20