

# Technical data sheet

## Protection set MCD + V20 3-pole + NPE

Item no. 5089761



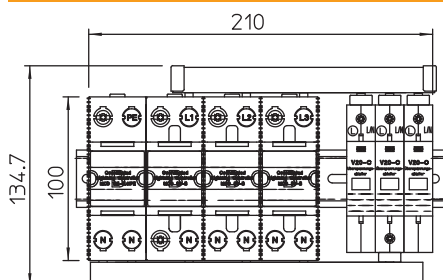
Protection set, lightning and surge arrestor combination, type 1+2

- For lightning protection equipotential bonding to VDE 0185-305 (IEC 62305)
- Lightning current arresting capacity to 50 kA (10/350) per pole and up to 125 kA (10/350) N-PE
- Arrestor, connectable, including connecting bridges, labelled connection terminals
- Encapsulated, non-extinguishing arrestor for use in distributor housings

Application: Mobile telecommunications systems and industrial systems with special requirements.



### Dimensions



### Master data

Item no.	5089761
Type	PS4-B+C TT+TNS
Description 1	Protection set
Description 2	4-pole design
Dimension	255V
Smallest sales unit (VG)	1,00 Piece
Weight	206,00 kg/100 pc.

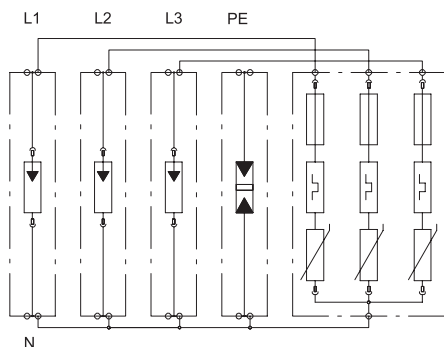
# Technical data sheet

## Protection set MCD + V20 3-pole + NPE

Item no. 5089761



### Technical data



SPD to EN 61643-11	Type 1+2
SPD to IEC 61643-11	Class I+II
Nominal voltage	230,00 V
Maximum continuous voltage AC	255,00 V
Max. continuous operating voltage	255,00 V
Maximum continuous voltage (L-N)	255,00 V
Maximum continuous voltage (N-PE)	255,00 V
Nominal discharge current (8/20 µs)	50,00 kA
Nominal discharge current (8/20)	50 kA
Maximum discharge current (8/20 µs)	100,00 kA
Lightning surge current (10/350 µs)	50,00 kA
Impulse discharge current (10/350)	50,00 kA
Lightning impulse current (10/350) (N-PE)	125,00 kA
Lightning impulse current (10/350) (L-N)	50,00 kA
Lightning surge current (10/350)	100,00 kA
Arrestor surge current (8/20) [total]	100,00 kA
Protection level	<1,3 kV
Protection level (N-PE)	<1,5 kV
Follow current quenching capacity (eff) [N-PE]	25,00 kA
Follow current quenching capacity leff	12,50 kA
Response time	<25 ns
Maximum back-up fuse	125,00 A
Temperature range	-40+85 °C
Pole version	3+N/PE
Version	3-pole with NPE; 255 V
Version	3 + NPE
Mounting type	Hat rail 35 mm
Installation type	DIN rail 35 mm
Protection rating	IP20
Protection rating	IP 20
Blow-out	<input type="checkbox"/>
Division unit TE (17.5 mm)	12
Remote signalling	<input type="checkbox"/>
Telecommunications contact	<input type="checkbox"/>
Connection cross-section, flexible	10,00 - 25,00 mm <sup>2</sup>
Connection cross-section, rigid	10,00 - 50,00 mm <sup>2</sup>
Connection cross-section, multi-wire	10,00 - 35,00 mm <sup>2</sup>
Signalling on device	Visual