

Technical data sheet

Combination protection device TD-4/I for ISDN and DSL systems

Item no. 5081690



Data cable protection device for telecommunications equipment

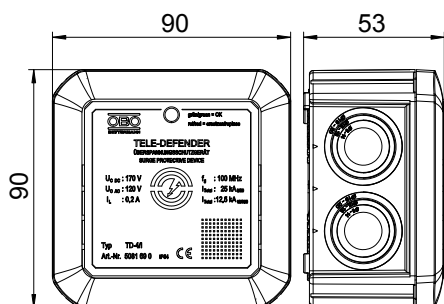
- Low protection level at a high current load
- "Push-in" terminals for quick installation
- Bandwidth-optimised for secure transmission
- Surface mounting
- Visual function display

Application: DSL systems, IP connections, ISDN or analogue telecommunications



Plastic

Dimensions



Master data

Item no.	5081690
Type	TD-4/I
Description 1	Surge protective device
Description 2	for TK systems
Dimension	170V
Colour	White
Material	Plastic

Technical data sheet

Combination protection device TD-4/I for ISDN and DSL systems

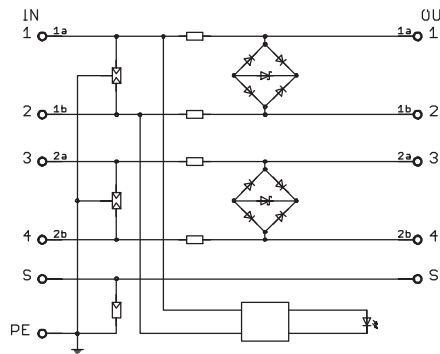
Item no. 5081690



Master data

Smallest sales unit (VG)	1,00 Piece
Weight	11,00 kg/100 pc.

Technical data



Arrestor monitoring	<input type="checkbox"/>
Category	Type 1+2+3 / D1+C2+C1
SPD to IEC 61643-21	Class I+II+III / D1+C2+C1
Connection cross-section, flexible	0,14 - 0,75 mm ²
Connection cross-section, multi-wire	0,14 - 0,75 mm ²
Connection cross-section, rigid	0,14 - 0,75 mm ²
Number of poles	4,00
Insertion loss	≤3 dB
Explosion-tested version	<input type="checkbox"/>
Telecommunications contact	<input type="checkbox"/>
Total discharge current (8/20)	25 kA
Total discharge current (10/350)	D1: 12,5 kA
Frequency range	0 - 100 MHz
Frequency range	0,00 - 100,00 MHz
Cut-off frequency	100,00 MHz
Maximum continuous voltage AC	120,00 V
Maximum continuous voltage DC	170,00 V
Insulation resistance	>1 MΩ
Impulse discharge current (10/350)	2,50 kA
Capacity (wire-wire)	<50 pF
Capacity (wire-earth)	<10 pF
Lightning protection zone LPZ	0→3
Rated current	0,20 A
Nominal load current AC	0,14 A
Nominal load current DC	0,20 A
Installation type	Surface-mounted
Testing standard	IEC 61643-21
Shielding connection available	Yes
Shield connection	Indirect
Protection rating	IP54
Protection level wire-wire	<300 V
Protection level wire-earth	<650 V
Protection level, shield-earth (S-PE)	850,00 V
Series resistance per wire	9 Ω ± 10 %
Signalling on device	Visual
Connection system	Terminal
Impulse durability wire-wire	C2: 18 kV / 9 kA (8/20μs)
Impulse durability wire-earth	C2: 18 kV / 9 kA (8/20μs)
Temperature range	-40+80 °C