

Pressure measuring transducers, incl. DIN plug-in connectors, with active output

The pressure sensor **PREMASGARD® SHD-SD** is used for measuring relative pressures (min. 0...6 bar / max. 0...16 bar) in gaseous and liquid media. **Not suitable for ammonia and freon!**

The pressure sensor **PREMASGARD® SHD** is used for measuring relative pressures (min. 0...1 bar / max. 0...40 bar) in gaseous and liquid media. The pressure measuring cell is welded to the pressure sensors without a gasket.

The pressure measuring transducer converts the measurand into a standard signal of 0-10 V or 4...20 mA. Process connection is G 1/2". This pressure transmitter is used in hydraulics, pneumatics, process technology, in mechanical and plant engineering.

SHD xx  
with display



TECHNICAL DATA

Power supply:	24 V AC / DC for output 0-10 V 7-33 V DC for output 4...20 mA
Measuring ranges:	see table (other ranges upon request)
Output:	0-10 V, 3-wire, (working resistance > 10 kOhm) or 4...20 mA, 2-wire, (working resistance < (UB (V) - 7 V) / 0,02 A; R <sub>L</sub> depending on working resistance
Electrical connection:	0.25 - 1.5 mm <sup>2</sup> , via plug-in connector DIN EN 175301-803-A (included in the scope of delivery)
Pressure connection:	G 1/2" sealing at the back
Type of pressure:	relative
Medium:	liquid and gaseous
Response time:	2 ms (1 ms typical)
Characteristic line:	± 0.3%
Mounting:	directly on pressure line
Housing:	stainless steel V2A (1.4305)
Connecting head:	plastic, approx. 98 x 50 x 34 mm

SHD-SD

Measuring principle:	ceramic measuring cell
Temperature of medium:	-15...+125 °C
Medium contacting parts:	stainless steel V2A (1.4305); measuring element ceramic Al <sub>2</sub> O <sub>3</sub> (96%); sealing material FPM (Viton)
Load changes:	< 100 Hz
Overload range / Bursting pressure:	< 4 bar: 3 x FS > 4 bar: 2.5 x FS

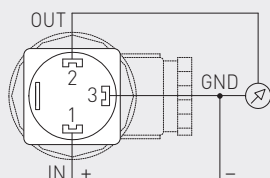
SHD

Measuring principle:	steel measuring cell
Temperature of medium:	-40...+135 °C
Medium contacting parts:	stainless steel V2A (1.4305)
Overload range:	< 6 bar: 5 x of final valu > 6 bar: 3 x of final valu (max. 1500 bar)
Bursting pressure:	< 6 bar: 10 x of final valu > 6 bar: 6 x of final valu (max. 2500 bar)
Protection class:	III (according to EN 60730)
Protection type:	IP 65 (according to EN 60529)
Standards:	CE conformity, electromagnetic compatibility according to EN 61326, EMC directive 2014/30/EU
Tests:	Drinking water approval according to NSF/ANSI 61/372, UL-certified according to ANSI/UL 61010-1
Optional:	with <b>display module</b> , made of plastic, polyamide material, black colour, LCD display rotatable and tiltable, for displaying the pressure (in bar, other units available upon request)

Connecting diagram

SHD xx-U

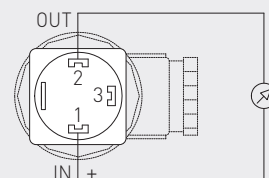
- 2 Output pressure 0-10V
- 3 GND
- 1 Supply voltage UB+ 24V AC/DC



Connecting diagram

SHD xx-I

- 2 Output pressure 4...20mA
- 3 Free
- 1 Supply voltage UB+ 24V DC





NEW

S+S REGELTECHNIK

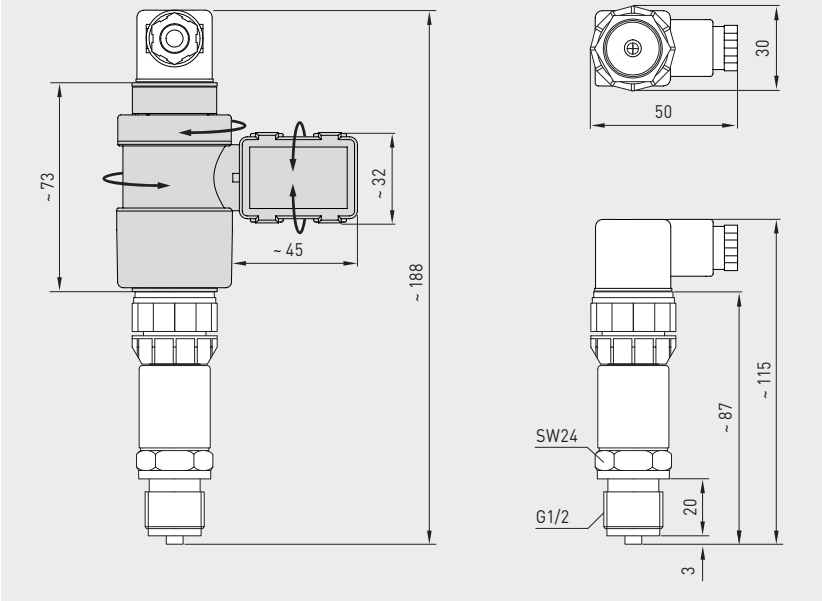
PREMASGARD® SHD-SD  
PREMASGARD® SHD

Pressure measuring transducers, incl. DIN plug-in connectors,  
with active output

Dimensional drawing  
[mm]

SHD xx

SHD xx  
without display



**PREMASGARD® SHD-SD** Pressure measuring transducer, *Standard* or gaseous and liquid media

Measuring Range	Type / WG01	Display	Item No.		Price
			Output 0-10V	Output 4...20mA	
	<b>SHD-SD-x = U / I</b>		U-variant	I-variant	
0... 6 bar	SHD-SD-x 6		1301-2121-0550-120	1301-2122-0550-000	133,75 €
	SHD-SD-x 6 LCD	■	1301-2121-1550-120	1301-2122-1550-000	417,12 €
0... 10 bar	SHD-SD-x 10		1301-2121-0560-120	1301-2122-0560-000	133,75 €
	SHD-SD-x 10 LCD	■	1301-2121-1560-120	1301-2122-1560-000	417,12 €
0... 16 bar	SHD-SD-x 16		1301-2121-0570-120	1301-2122-0570-000	133,75 €
	SHD-SD-x 16 LCD	■	1301-2121-1570-120	1301-2122-1570-000	417,12 €
<b>Note:</b> Not suitable for ammonia and freon!					

**PREMASGARD® SHD** Pressure measuring transducer, *Premium* for gaseous and liquid media

Measuring Range	Type / WG01	Display	Item No.		Price
			Output 0-10V	Output 4...20mA	
	<b>SHD-x = U / I</b>		U-variant	I-variant	
0... 1 bar	SHD-x 1		1301-2111-0520-220	1301-2112-0520-120	220,94 €
	SHD-x 1 LCD	■	1301-2111-1520-220	1301-2112-1520-120	504,32 €
0... 2,5 bar	SHD-x 2,5		1301-2111-0530-220	1301-2112-0530-120	220,94 €
	SHD-x 2,5 LCD	■	1301-2111-1530-220	1301-2112-1530-120	504,32 €
0... 6 bar	SHD-x 6		1301-2111-0550-220	1301-2112-0550-120	159,97 €
	SHD-x 6 LCD	■	1301-2111-1550-220	1301-2112-1550-120	443,34 €
0... 10 bar	SHD-x 10		1301-2111-0560-220	1301-2112-0560-120	159,97 €
	SHD-x 10 LCD	■	1301-2111-1560-220	1301-2112-1560-120	443,34 €
0... 16 bar	SHD-x 16		1301-2111-0570-220	1301-2112-0570-120	159,97 €
	SHD-x 16 LCD	■	1301-2111-1570-220	1301-2112-1570-120	443,34 €
0... 25 bar	SHD-x 25		1301-2111-0580-220	1301-2112-0580-120	220,94 €
	SHD-x 25 LCD	■	1301-2111-1580-220	1301-2112-1580-120	504,32 €
0... 40 bar	SHD-x 40		1301-2111-0590-220	1301-2112-0590-120	220,94 €
	SHD-x 40 LCD	■	1301-2111-1590-220	1301-2112-1590-120	504,32 €