

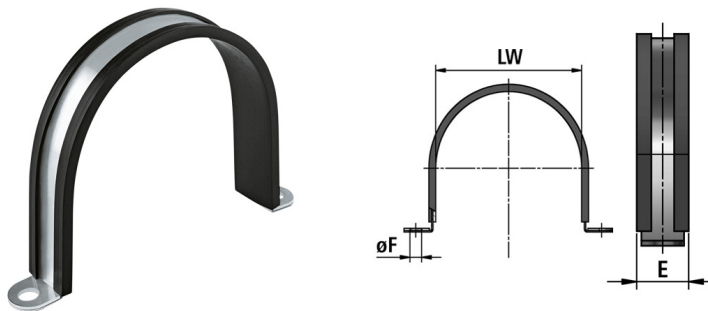


SKM-Multi

Accessories

Tubing-Clamp for cable buncher ROHRflex-MULTI

Temperature:	-40°C ... +120°C
Material:	galvanized steel rubber-profile



CHARACTERISTICS:

- Properties: with through hole for fastening with screws



Characteristics	Unit	Value	Test
Thermal characteristics			
Temperature range	°C	-40°C ... +120°C	

FLEXA No.	NW [mm]	Ø F [mm]	Ø mm	E [mm]	Weight [kg/100]	PU [pcs.]
10308000070	ID 70	8,0	79,0	20,0	7,000	1
10308000095	ID 95	8,0	105,0	20,0	9,000	1

Recommendations for any areas of applications, products, or product combinations are issued to the best of FLEXA's knowledge and experience. The user is requested to check applicability of FLEXA products to specific applications and purposes prior to the use of the particular products. All documentation, illustrations, and charts published are subject to copyright and must not be copied, changed, used, or modified. Technical drawings, certificates, authorizations, and results by the FLEXA lab will be provided upon request. FLEXA will not be held liable for typographical or other errors and incorrect drawings. Technical modifications are subject to change without prior notice.