

# Universal control- and safety isolating- resp. isolating transformer **STU 100/24**



Picture shows STU 160/24

## Advantages

- Universal input voltages 210 to 540 Vac
- Very good switch-on behaviour thanks to reduced starting currents
- High power density due to a compact construction design
- Very good corrosion protection and low noise thanks to BLOCK IMPEX vacuum impregnation
- Contact protected screw connection terminals complying with UVV BGV A3
- Simple mounting thanks to robust metal footplate with oval slots

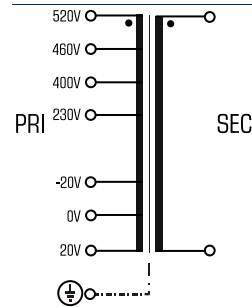
## Applications

As a control transformer for the electrical isolation of the input and output sides. The construction of the transformer is designed to supply control systems according to EN 60204.

As an isolating transformer for the safe electrical isolation of the input and output sides. The transformer may be used to set up protective separation as a protective measure in accordance with VDE 0100.

As a safety isolating transformer for the safe electrical isolation of the input and output sides. The transformer is suitable for creating SELV and PELV circuits because of the limit on the output voltage.

## Sample application



## Standards

Safety isolating transformer  
to: VDE 0570 Teil 2-6, DIN EN 61558-2-6, EN 61558-2-6, IEC 61558-2-6, UL 5085-1/-2, CSA 22.2 No.66

## Approvals



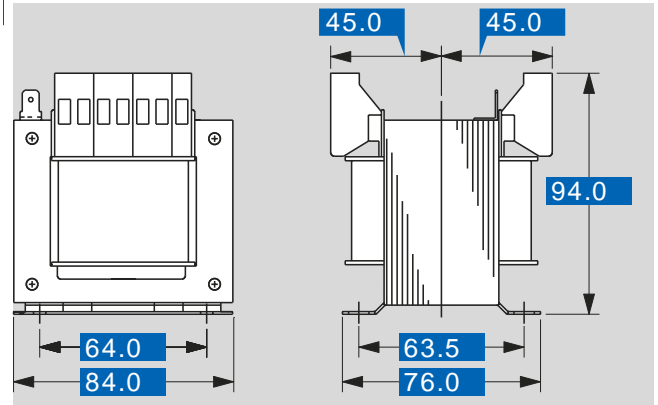
VDE, UL 5085-1/-2, CSA 22.2 No.66



# Universal control- and safety isolating- resp. isolating transformer STU 100/24

Electrical data	Type	STU 100/24
<b>Input</b>		
Rated input voltage		210 Vac/230 Vac/250 Vac/ 380 Vac/400 Vac/420 Vac/ 440 Vac/460 Vac/480 Vac/ 500 Vac/520 Vac/540 Vac
Rated frequency		50 - 60 Hz
<b>Output</b>		
Rated output voltage		24 Vac
Rated power VDE (DB cos phi=1)		100 VA
Rated power VDE (KB cos phi=0.5)		225 VA
No-load voltage (app. x factor)		1.10
Efficiency		86.0 %
UL Derating		-
<b>Standards</b>		
Classification		
<b>Approvals</b>		
Approvals		cURus, VDE
<b>Environment</b>		
Ambient temperature max.		40 °C
Type of cooling		self-cooling
<b>Safety and protection</b>		
Type		Open type
Insulation class		VDE=B, UL=class 105
Protection index		IP 00
Safety class (prepared)		I
Short circuit strength		non-short-circuit proof
PRI Fusing recommendation by circuit breaker with tripping characteristic type 20 x Irated related to set)		
Setting range 230 ±20 Vac		0.40 - 0.63 A
Setting value 230 ±20 Vac		0.53 A
Setting range 400 ±20 Vac		0.25 - 0.40 A
Setting value 400 ±20 Vac		0.31 A
Setting range 460 ±20 Vac		0.25 - 0.40 A
Setting value 460 ±20 Vac		0.27 A
Setting range 520 ±20 Vac		0.16 - 0.25 A
Setting value 520 ±20 Vac		0.24 A
<b>Order numbers</b>		
<b>Order Number</b>		<b>STU 100/24</b>

Mechanical data	Type	STU 100/24
<b>Terminal and mounting</b>		
Fixing method		Base plate
Fixing screws		M4
Terminals Input		Screw clamp, 4 mm <sup>2</sup>
Terminals Output		Screw clamp, 4 mm <sup>2</sup>
Terminals PE		Tab connector, 6.3 x 0.8 mm
<b>Measures and weights</b>		
Weight		2.0 kg



Subject to change.