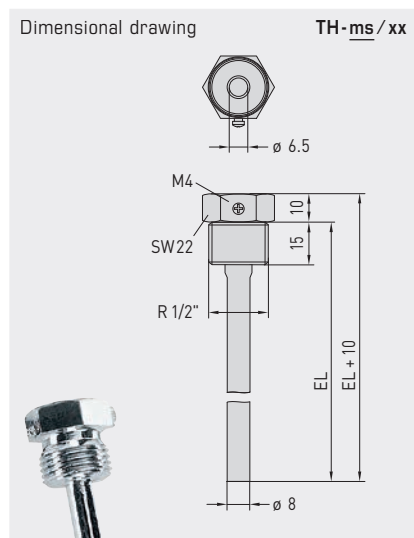


# THERMASGARD® TH

Immersion sleeves made of stainless steel or brass, nickel-plated, for temperature sensors and measuring transducers TF 54/TM 54 (form B)

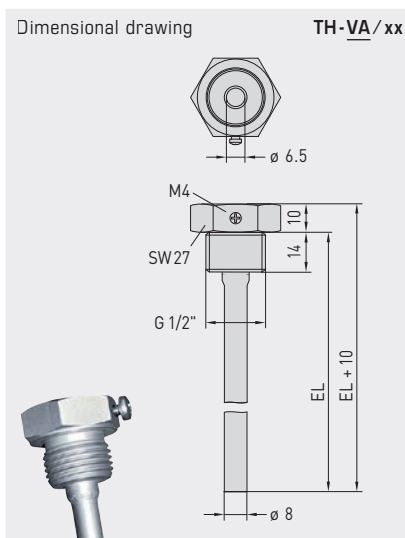


S+S REGELTECHNIK



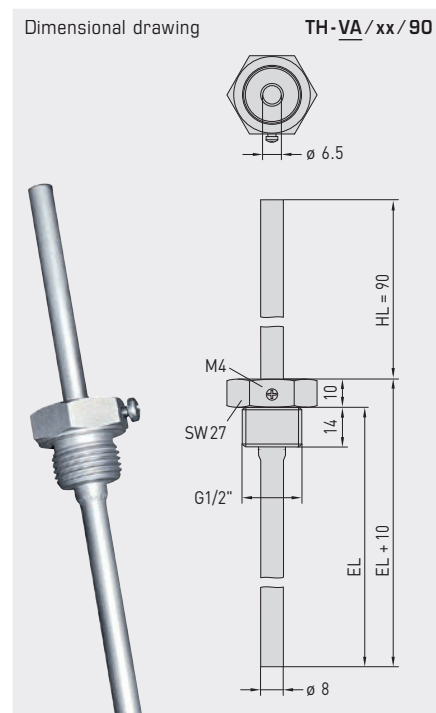
### TH-ms/xx

Immersion sleeve, nickel-plated brass, thread-sealing, conical, according to DIN 10226



### TH-VA/xx

Immersion sleeve, stainless steel V4A (1.4571), flat sealing, cylindrical, according to DIN 228



### TH-VA/xx/90

Immersion sleeve, stainless steel V4A (1.4571) with neck tube, flat sealing, cylindrical, according to DIN 228



THERMASGARD® TH Immersion sleeve Ø 8 mm					
Type / WGD1	p <sub>max</sub> (static)	T <sub>max</sub>	Inserted length (EL)	Item No.	Price
<b>TH-ms/xx</b>	<b>Brass nickel-plated</b>			<b>Ø 8 x 0.75 mm</b>	
TH-MS 50MM	10 bar	+150 °C	50 mm	7100-0011-0010-001	9,31 €
TH-MS 100MM	10 bar	+150 °C	100 mm	7100-0011-0020-001	10,61 €
TH-MS 150MM	10 bar	+150 °C	150 mm	7100-0011-0030-001	11,20 €
TH-MS 200MM	10 bar	+150 °C	200 mm	7100-0011-0040-001	11,56 €
TH-MS 250MM	10 bar	+150 °C	250 mm	7100-0011-0050-001	13,39 €
TH-MS 300MM	10 bar	+150 °C	300 mm	7100-0011-0060-001	13,76 €
TH-MS 350MM	10 bar	+150 °C	350 mm	7100-0011-0070-001	13,87 €
TH-MS 400MM	10 bar	+150 °C	400 mm	7100-0011-0080-001	14,00 €
<b>TH-VA/xx</b>	<b>Stainless steel V4A (1.4571)</b>			<b>Ø 8 x 0.75 mm</b>	
TH-VA 50MM	40 bar	+600 °C	50 mm	7100-0012-0010-001	20,28 €
TH-VA 100MM	40 bar	+600 °C	100 mm	7100-0012-0020-001	22,41 €
TH-VA 150MM	40 bar	+600 °C	150 mm	7100-0012-0030-001	24,08 €
TH-VA 200MM	40 bar	+600 °C	200 mm	7100-0012-0040-001	25,38 €
TH-VA 250MM	40 bar	+600 °C	250 mm	7100-0012-0050-001	31,55 €
TH-VA 300MM	40 bar	+600 °C	300 mm	7100-0012-0060-001	32,97 €
TH-VA 350MM	40 bar	+600 °C	350 mm	7100-0012-0070-001	33,19 €
TH-VA 400MM	40 bar	+600 °C	400 mm	7100-0012-0080-001	33,78 €
<b>TH-VA/xx/90</b>	<b>Stainless steel V4A (1.4571), with neck tube (90mm)</b>			<b>Ø 8 x 0.75 mm</b>	
TH-VA 50/90MM	40 bar	+600 °C	50 mm	7100-0012-2010-001	29,04 €
TH-VA 100/90MM	40 bar	+600 °C	100 mm	7100-0012-2020-001	30,35 €
TH-VA 150/90MM	40 bar	+600 °C	150 mm	7100-0012-2030-001	31,84 €
TH-VA 200/90MM	40 bar	+600 °C	200 mm	7100-0012-2040-001	33,19 €
TH-VA 250/90MM	40 bar	+600 °C	250 mm	7100-0012-2050-001	34,79 €
TH-VA 300/90MM	40 bar	+600 °C	300 mm	7100-0012-2060-001	37,71 €
Note:	Inner diameter of socket 6.5 mm				

Immersion sleeves made of stainless steel or brass, nickel-plated, for temperature sensors and measuring transducers TF54/TM54 (form B)

**INSTRUCTIONS FOR PLANNING AND INSTALLATION**

The approaching flow causes the protective tube to vibrate.

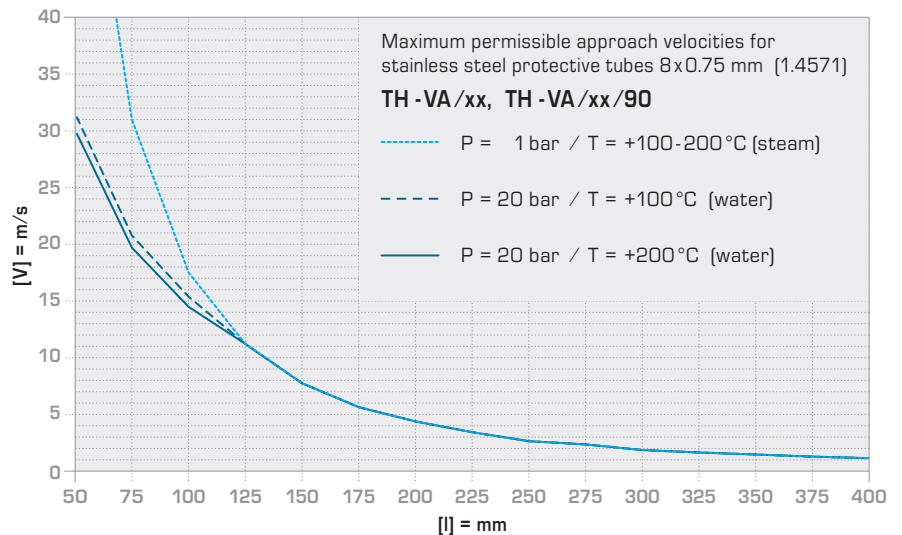
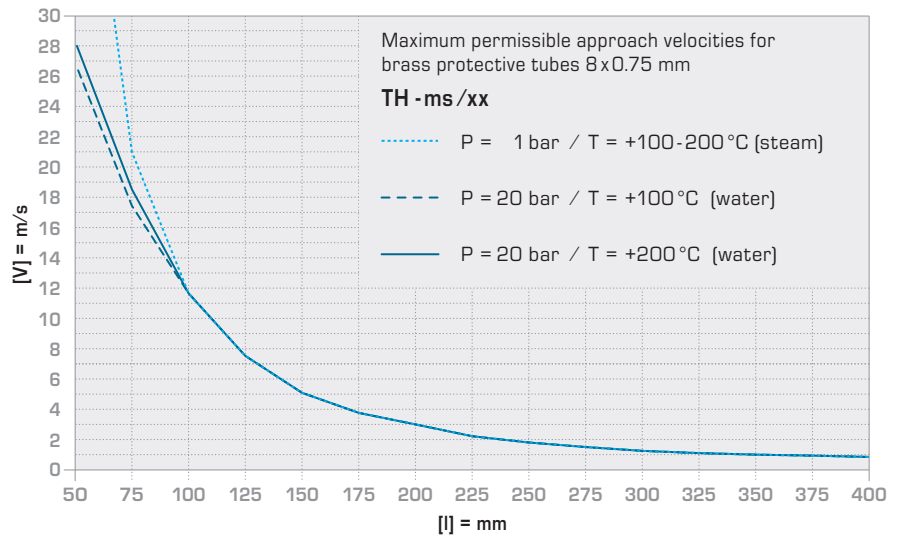
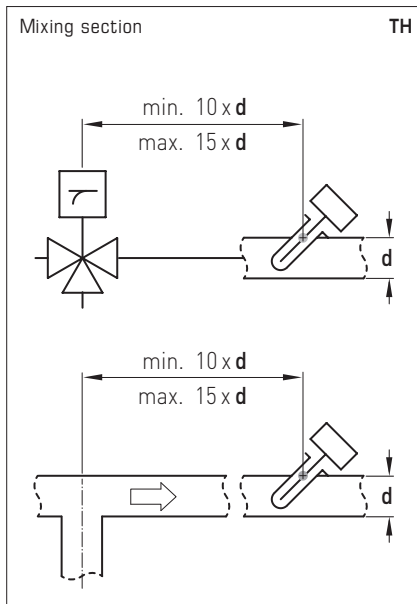
If the specified approach velocity is exceeded even by a marginal amount, a negative impact on the protective tube's service life may result (material fatigue).

Please observe permissible approach velocities for stainless steel protective tubes (see graph TH-VA) as well as for brass protective tubes (see graph TH-ms).

Discharge of gases and pressure surges must be avoided as they have a negative influence on the service life and may damage the protective tubes irreparably.

**MIXING SECTION**

After the mixing of water flows of different temperatures, the issue of temperature stratification means that an adequate distance to the sensor must be observed.



**When Copper and Zinc are Not Enough**

Uncompromising quality and safety are also paramount in the design of the accessory from S+S. This is why our metal immersion sleeves for duct sensors are made using either nickel plated brass or stainless steel. Brass is an alloy consisting mainly of copper and zinc, which provide good forming and machining properties, mechanical strength, temperature resistance and electrical conductivity.

In contrast to conventional products in the market, however, our brass immersion sleeves feature an additional nickel coating. This ensures their longterm corrosion resistance in minor aggressive media, from air and water to alkaline solutions and diluted acids. At the same time, the nickel layer prevents ingredients in thermally conductive compounds from stripping the copper and causing pitting.

Highest protection against corrosion is provided by immersion sleeves made of stainless steel. Among the available qualities, we chose VA 1.4571 or AISI 316 Ti, a high-grade austenite specialty combining chromium, nickel and molybdenum with an extra titanium content. The alloy has a proven fit particularly in the design of chemical process equipment and technical instruments as well as in waste gas and water treatment. Its corrosion resistance also includes chlorides or salts and more aggressive acids, such as hydrochloric acid (HCl).

