

# Technical data sheet

## TP wall and ceiling bracket

Item no. 6363829



TP wall and ceiling bracket for universal use.

Important! If the wall and ceiling bracket is fastened directly to the wall or ceiling, then, for reasons of stability, always use the spacer, type DS 4.

Max. side height of the cable support system 60 mm.

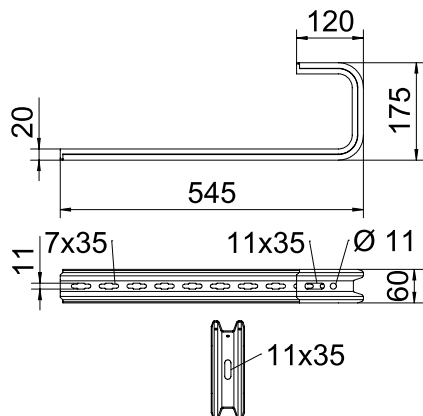


<b>St</b>	Steel
<b>FS</b>	Strip galvanised

### Master data

Item no.	6363829
Type	TPD 545 FS
Description 1	Wall and ceiling bracket
Description 2	TP profile
Dimension	B545mm
Material	Steel
Material symbol	St
Surface	Strip galvanised
Surface to DIN	DIN EN 10346
Surface symbol	FS
Smallest sales unit (VG)	1 Piece
Weight	107,00 kg/100 pc.

### Technical data



Length	545,00 mm
Width	545,00 mm
Dimension B	545,00 mm
Dimension H	175,00 mm
Version	Suspension bracket (C clamp)
F in ceiling	0,25 kN
F in kN wall	0,35 kN
for width	500,00 mm
Suitable for tray/ladder width	500,00 mm
Suitable for maintaining electrical function	<input type="checkbox"/>
Suitable for cable tray	<input checked="" type="checkbox"/>
Suitable for cable ladder	<input checked="" type="checkbox"/>
Suitable for mesh cable tray	<input checked="" type="checkbox"/>
Adjustable	<input type="checkbox"/>

### Appr. load:

Anchor, approved F 1.65	1,65 kN
Anchor, approved F 3.57	3,57 kN

# Technical data sheet

TP wall and ceiling bracket

Item no. 6363829



## Technical data

Appr. load:

# Technical data sheet

TP wall and ceiling bracket

Item no. 6363829



## Technical data

Appr. load: