

Technical data sheet

TP wall and ceiling bracket

Item no. 6365995



TP wall and ceiling bracket with clamping lugs for screwless mesh cable tray fastening.

If the wall and ceiling bracket is fastened directly to the wall or ceiling, then, for reasons of stability, always use the spacer, type DS 4.

Max. side height of the cable support system 60 mm.



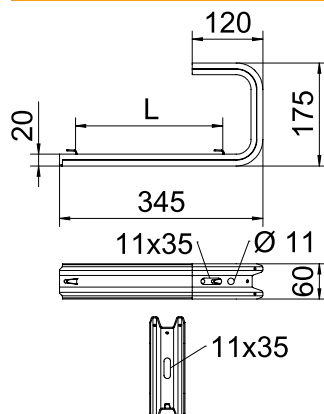
VA Stainless steel, rustproof 1.4301

2B Bright, reworked

Master data

Item no.	6365995
Type	TPDG 345 A2
Description 1	Wall and ceiling bracket
Description 2	for mesh cable tray
Dimension	B345mm
Material	Stainless steel, material no. 1.4301
Material symbol	A2
Surface	Bright, reworked
Surface symbol	2B
Smallest sales unit (VG)	5 Piece
Weight	81,00 kg/100 pc.

Technical data



Width	345,00 mm
Dimension B	345,00 mm
Dimension H	175,00 mm
Dimension L	250,00 mm
Version	Suspension bracket (C clamp)
F in ceiling	0,50 kN
F in kN wall	0,55 kN
for width	300,00 - 300,00 mm
Suitable for tray/ladder width	300,00 mm
Suitable for maintaining electrical function	<input type="checkbox"/>
Suitable for cable tray	<input type="checkbox"/>
Suitable for cable ladder	<input type="checkbox"/>
Suitable for mesh cable tray	<input checked="" type="checkbox"/>

Appr. load:

Anchor, approved F 1.65	1,65 kN
Anchor, approved F 3.57	3,57 kN

Technical data sheet

TP wall and ceiling bracket

Item no. 6365995



Technical data

Appr. load:

Technical data sheet

TP wall and ceiling bracket

Item no. 6365995



Technical data

Appr. load: