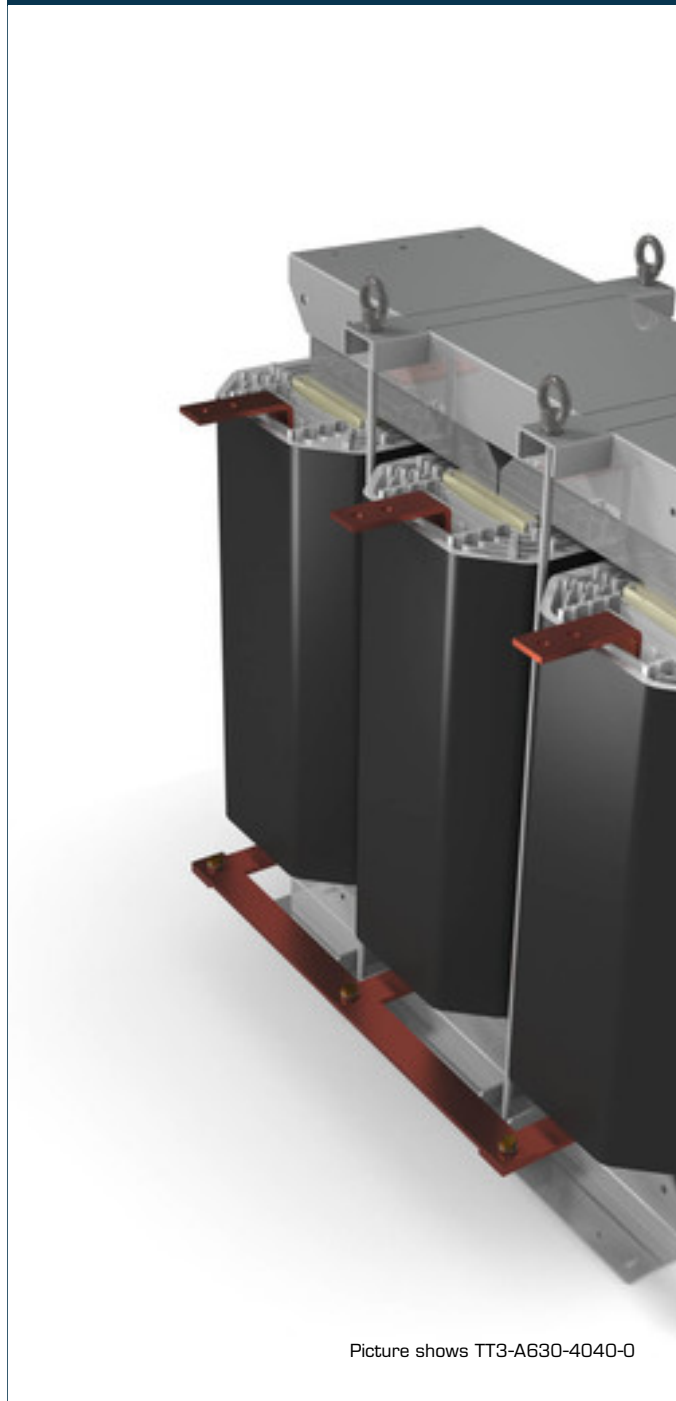


Isolating transformer TT3-A063-4040-0



Picture shows TT3-A630-4040-0

Advantages

Safe galvanic isolation

Very good corrosion protection and low noise thanks to BLOCK IMPEX vacuum impregnation

Very good discharging of thermal losses by means of optimally arranged cooling channels within the coils

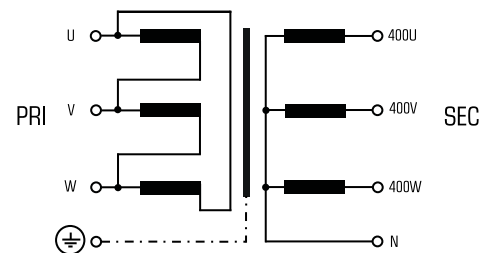
Integrated crane eyes

If desired, the transformers can be realised in individual voltages

Applications

Isolating transformer for the safe electrical isolation of the input and output sides. The transformer may be used to set up protective separation as a protective measure in accordance with VDE 0100.

Sample application



Standards

Isolating transformer
to: VDE 0570 part 2-4, DIN EN 61558 part 1 with part 2-4

Approvals



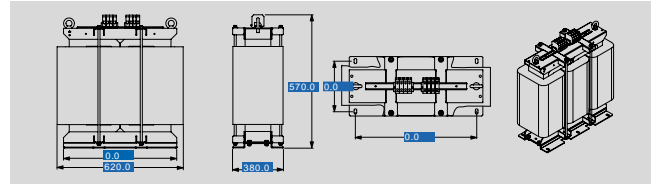
UL 1561, CSA 22,2 (E 327358)



Isolating transformer TT3-A063-4040-0

| Electrical data | |
|------------------------------|-------------------------|
| Type TT3-A063-4040-0 | |
| Input | |
| Rated input voltage | 3 x 400 Vac |
| Rated frequency | 50 - 60 Hz |
| Output | |
| Rated output voltage | 3 x 400 Vac |
| Rated Power | 63,000 VA |
| Output rated current | 3 x 90.9 A |
| Short circuit voltage | 4,1 % |
| Vector group | Dyn 5 |
| Environment | |
| Ambient temperature max. | 40 °C |
| Safety and protection | |
| Insulation class | F |
| Protection index | IP 00 |
| Type | Open type |
| Safety class (prepared) | I |
| Short circuit strength | non-short-circuit proof |
| Order numbers | |
| Recommended enclosure | BGE-085 |
| Order Number | TT3-A063-4040-0 |

| Mechanical data | |
|------------------------------|---|
| Type TT3-A063-4040-0 | |
| Terminal and mounting | |
| Terminals | Screw-type terminal 35 mm ² |
| Fixing method | Fixing rail |
| Terminals Input | Screw clamp, 35 mm ² |
| Terminals Output | Screw clamp, 35 mm ² |
| Terminals PE | Screw-type terminal, 35 mm ² |
| Measures and weights | |
| Core type | 3UC 504/175 |
| Weight | 267.00 kg |



Subject to change.