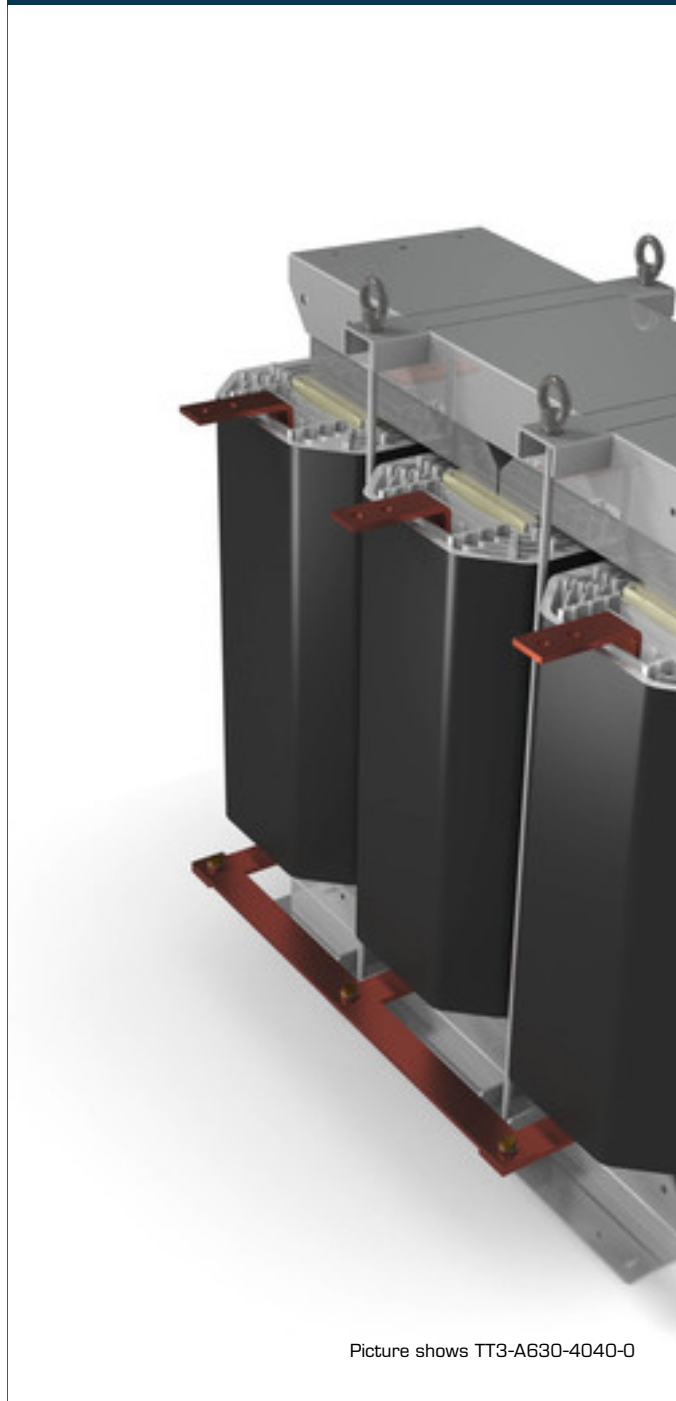


Isolating transformer TT3-A400-4040-0



Picture shows TT3-A630-4040-0

Advantages

Safe galvanic isolation

Very good corrosion protection and low noise thanks to BLOCK IMPEX vacuum impregnation

Very good discharging of thermal losses by means of optimally arranged cooling channels within the coils

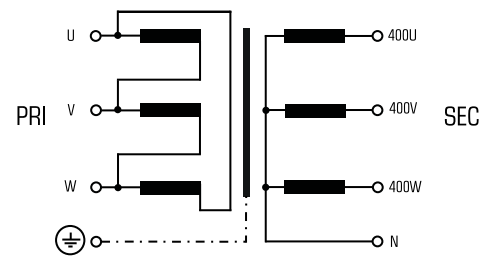
Integrated crane eyes

If desired, the transformers can be realised in individual voltages

Applications

Isolating transformer for the safe electrical isolation of the input and output sides. The transformer may be used to set up protective separation as a protective measure in accordance with VDE 0100.

Sample application



Standards

Isolating transformer
to: DIN EN 61558 part 1 with part 2-4

Approvals



UL 1561, CSA 22,2 (E 327358)



Isolating transformer TT3-A400-4040-0

Type		TT3-A400-4040-0
Electrical data	Input	
	Rated input voltage	3 x 400 Vac
	Rated frequency	50 - 60 Hz
	Output	
	Rated output voltage	3 x 400 Vac
	Rated Power	400,000 VA
	Output rated current	3 x 577.2 A
	Short circuit voltage	3,2 %
	Vector group	Dyn 5
	Environment	
	Ambient temperature max.	40 °C
	Safety and protection	
	Insulation class	F
	Protection index	IP 00
	Type	Open type
Safety class (prepared)	I	
Short circuit strength	non-short-circuit proof	
Order numbers		
Recommended enclosure	BGE-150	
Order Number	TT3-A400-4040-0	

Type		TT3-A400-4040-0
Mechanical data	Terminal and mounting	
	Terminals	Ø11 mm busbar hole
	Fixing method	Fixing rail
	Terminals Input	Busbars with 2x hole for M10
	Terminals Output	Busbars with 2x hole for M10
	Terminals PE	Bolt, M12
	Measures and weights	
	Core type	3UC 864/200
	Weight	1068.00 kg

