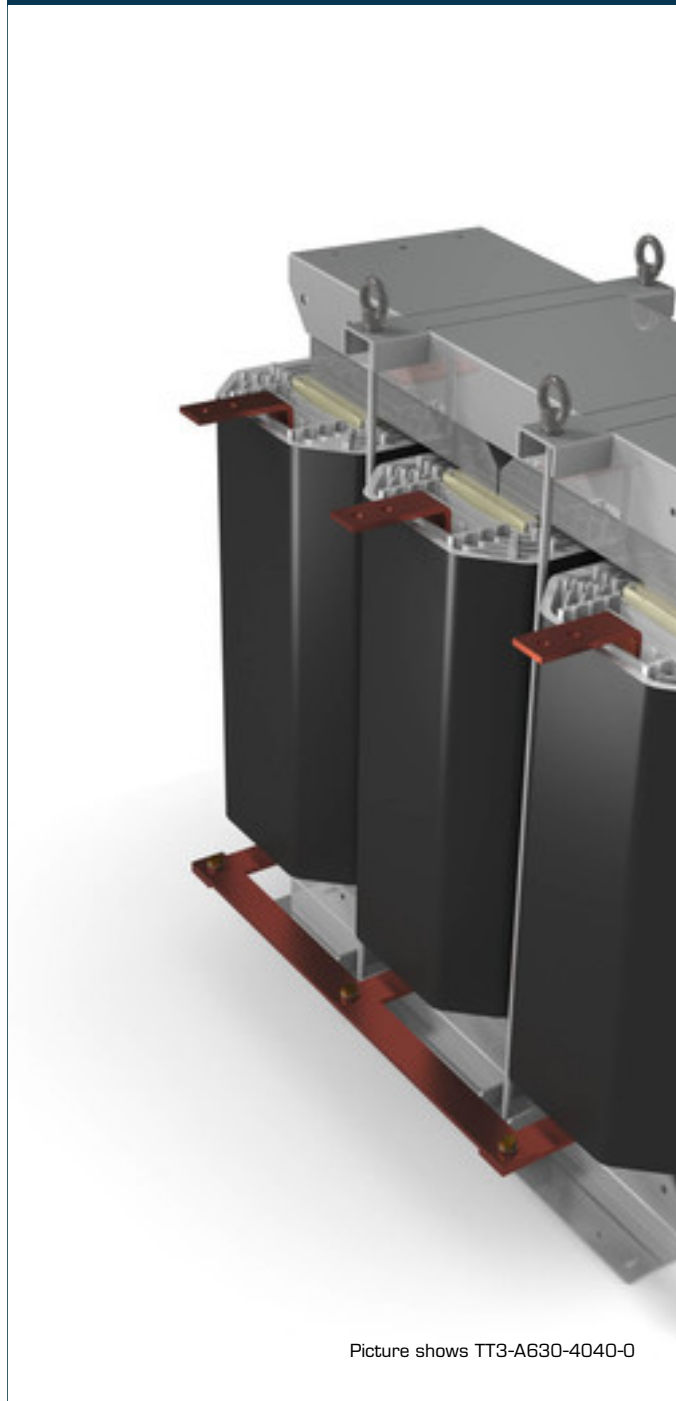


# Isolating transformer TT3-A500-4040-0



Picture shows TT3-A630-4040-0

## Advantages

Safe galvanic isolation

Very good corrosion protection and low noise thanks to BLOCK IMPEX vacuum impregnation

Very good discharging of thermal losses by means of optimally arranged cooling channels within the coils

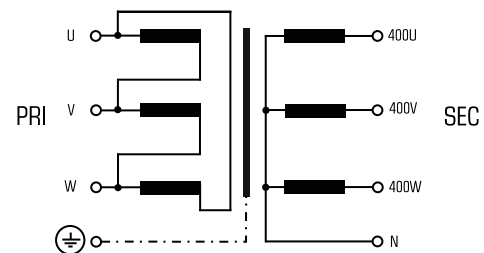
Integrated crane eyes

If desired, the transformers can be realised in individual voltages

## Applications

Isolating transformer for the safe electrical isolation of the input and output sides. The transformer may be used to set up protective separation as a protective measure in accordance with VDE 0100.

## Sample application



## Standards

Isolating transformer  
to: DIN EN 61558 part 1 with part 2-4

## Approvals



Insulationsystem only (216803)



# Isolating transformer TT3-A500-4040-0

Type		TT3-A500-4040-0
Electrical data	Input	
	Rated input voltage	3 x 400 Vac
	Rated frequency	50 - 60 Hz
	Output	
	Rated output voltage	3 x 400 Vac
	Rated Power	500,000 VA
	Output rated current	3 x 721.5 A
	Short circuit voltage	3,3 %
	Vector group	Dyn 5
	Environment	
	Ambient temperature max.	40 °C
	Safety and protection	
	Insulation class	F
	Protection index	IP 00
	Type	Open type
	Safety class (prepared)	I
	Short circuit strength	non-short-circuit proof
Order numbers		
Recommended enclosure	BGE-150	
<b>Order Number</b>	<b>TT3-A500-4040-0</b>	

Type		TT3-A500-4040-0
Mechanical data	Terminal and mounting	
	Terminals	Ø13 mm busbar hole
	Fixing method	Fixing rail
	Terminals Input	Busbars with 2x hole for M10
	Terminals Output	Busbars with 2x hole for M10
	Terminals PE	Bolt, M12
	Measures and weights	
	Core type	3UC 864/250
	Weight	1353.00 kg

