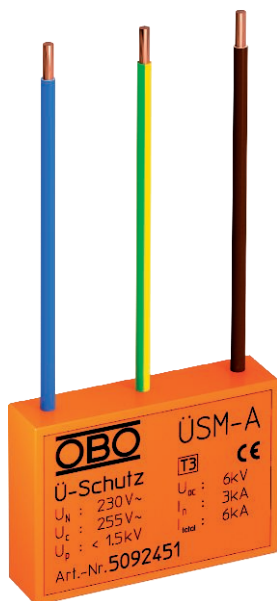


# Technical data sheet

## Surge protection module 230 V



Item no. 5092451



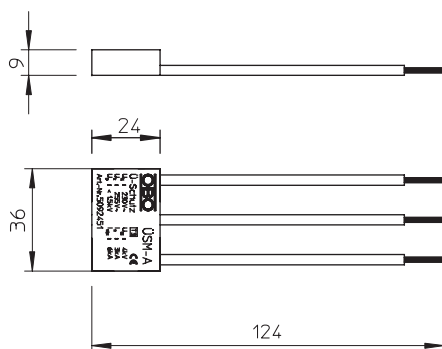
Surge protection module type 3 to DIN EN 61643-11 for 230 V power grids.

- With audible defect signal
- With low construction height
- Halogen-free plastic (UL 94 V-0)
- Y circuit

Application: Universally applicable for all installation systems.



### Dimensions



### Master data

Item no.	5092451
Type	ÜSM-A
Description 1	Surge protective Modul
Description 2	for all installation systems
Dimension	255V
Smallest sales unit (VG)	1,00 Piece
Weight	1,50 kg/100 pc.

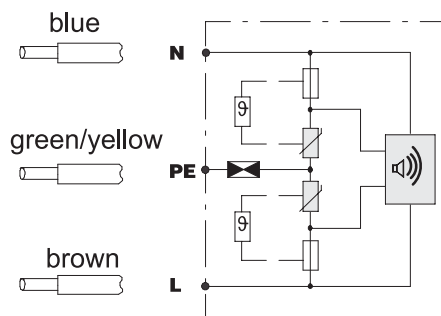
# Technical data sheet

## Surge protection module 230 V

Item no. 5092451



### Technical data



SPD to EN 61643-11	Type 3
SPD to IEC 61643-11	Class III
Nominal voltage	230,00 V
Maximum continuous voltage AC	255,00 V
Max. continuous operating voltage	255,00 V
Nominal discharge current (8/20)	3 kA
Rated current	16,00 A
Maximum discharge current (8/20 $\mu$ s)	6,00 kA
Combined voltage protection level [L-PE]	1.500,00 kV
Protection level	< 1,3 kV
Protection level [L-N]	1.500,00 kV
Protection level (L-N)	< 1,3 kV
Protection level (N-PE)	< 1,5 kV
Response time	< 25 ns
Maximum back-up fuse	16,00 A
Temperature range	-15-+60 °C
Pole version	Other
Version	Acoustic operating display
Version	Other
Installation type	Wall socket
Signalling on device	Acoustic