

Technical data sheet

Upper part, surge arrester V10 280 V

Item no. 5093415



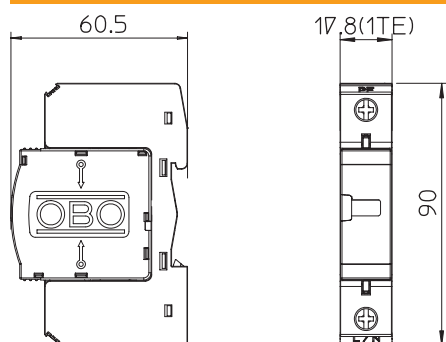
Surge arrester, type 2+3

- Surge protection in sub-distributors to VDE 0100-443 (IEC 60364-4-44)
- Arresting capacity to 20 kA (8/20) per pole
- Arrester, connectable with dynamic cut-off unit and visual function display
- High-performance varistor technology
- Base with multiple connection terminals

Application: Equipotential bonding in sub-distributors and device protection



Dimensions



Master data

Item no.	5093415
Type	V10-C 1-280
Description 1	SurgeController V10
Description 2	single pole version
Dimension	280V
Smallest sales unit (VG)	1,00 Piece
Weight	10,00 kg/100 pc.

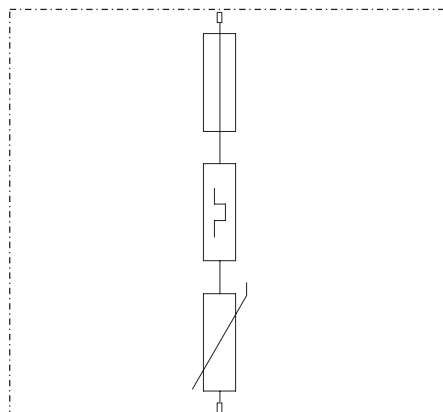
Technical data sheet

Upper part, surge arrester V10 280 V

Item no. 5093415



Technical data



SPD to EN 61643-11	Type 2+3
SPD to IEC 61643-11	Class II+III
Nominal voltage	230,00 V
Maximum continuous voltage AC	280,00 V
Max. continuous operating voltage	280,00 V
Nominal discharge current (8/20)	10 kA
Nominal discharge current (8/20 µs) [L-N]	10,00 kA
Nominal discharge current (8/20 µs) [N-PE]	30,00 kA
Maximum discharge current (8/20 µs)	20,00 kA
Arrestor surge current (8/20) [total]	10,00 kA
Protection level	< 1,1 kV
Response time	<25 ns
Maximum back-up fuse	125,00 A
Temperature range	-40-+80 °C
Pole version	1
Version	1-pole
Version	1-pole
Mounting type	Hat rail 35 mm
Installation type	DIN rail 35 mm
Protection rating	IP20
Protection rating	IP 20
Division unit TE (17.5 mm)	1
Connection cross-section, flexible	2,50 - 25,00 mm ²
Connection cross-section, rigid	2,50 - 35,00 mm ²
Connection cross-section, multi-wire	2,50 - 35,00 mm ²
Signalling on device	Visual