

Technical data sheet

Surge arrester V10 1-pole + NPE 280 V

Item no. 5093418



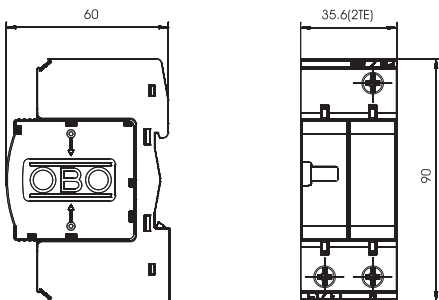
Surge arrester, type 2+3

- Complete unit consisting of upper part and base, pre-mounted and ready for connection
- Suitable for TN-S and TT network systems
- Incl. thermal and dynamic cut-off unit
- With visual display of defects
- High current conductivity and long service life
- Labelled connections

Application example: Residential buildings, single-family homes



Dimensions



Master data

Item no.	5093418
Type	V10-C 1+NPE-280
Description 1	SurgeController V10
Description 2	single pole version with NPE
Dimension	280V
Smallest sales unit (VG)	1,00 Piece
Weight	22,20 kg/100 pc.

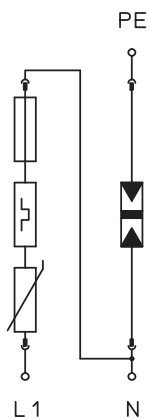
Technical data sheet

Surge arrester V10 1-pole + NPE 280 V

Item no. 5093418



Technical data



SPD to EN 61643-11	Type 2+3
SPD to IEC 61643-11	Class II+III
Test class, type 2	<input checked="" type="checkbox"/>
Nominal voltage	230,00 V
Maximum continuous voltage AC	280,00 V
Max. continuous operating voltage	280,00 V
Maximum continuous voltage (N-PE)	255,00 V
Nominal discharge current (8/20)	10 kA
Nominal discharge current (8/20 µs) [L-N]	10,00 kA
Nominal discharge current (8/20 µs) [N-PE]	30,00 kA
Maximum discharge current (8/20 µs)	20,00 kA
Maximum discharge current (8/20 µs) [L-N]	20,00 kA
Maximum discharge current (8/20 µs) [N-PE]	50,00 kA
Arrester surge current (8/20) [total]	20,00 kA
Protection level	< 1,1 kV
Protection level (N-PE)	< 1,2 kV
Response time	< 25 ns
Maximum back-up fuse	125,00 A
Temperature range	-40+80 °C
Pole version	1+N/PE
Version	1 + NPE
Mounting type	Hat rail 35 mm
Installation type	DIN rail 35 mm
Protection rating	IP20
Protection rating	IP 20
Blow-out	<input type="checkbox"/>
Division unit TE (17.5 mm)	2
Remote signalling	<input type="checkbox"/>
Telecommunications contact	<input type="checkbox"/>
Connection cross-section, flexible	2,50 - 35,00 mm ²
Connection cross-section, rigid	2,50 - 35,00 mm ²
Connection cross-section, multi-wire	2,50 - 35,00 mm ²
Signalling on device	Visual