

Technical data sheet

Surge arrester V10 Compact with audible signalling
255 V
Item no. 5093391



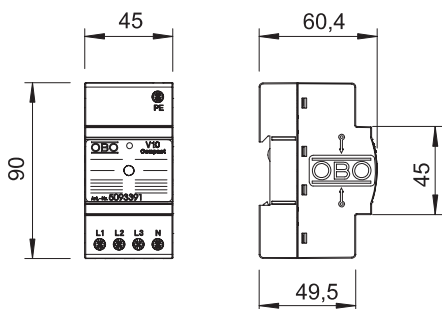
Surge protection device, compact module, type 2+3

- Surge protection in sub-distributors to VDE 0100-443 (IEC 60364-4-44)
- Arresting capacity up to 60 kA (8/20) in total
- Integrated 3+1 solution for TN and TT network systems on 45 mm module width
- High-performance varistor technology
- Including thermic and dynamic cut-off unit and visual function display
- ...-AS version with additional acoustic defect signalling (switchable)

Application: Sub/storey distribution as well as device protection in rotational current systems.



Dimensions



Master data

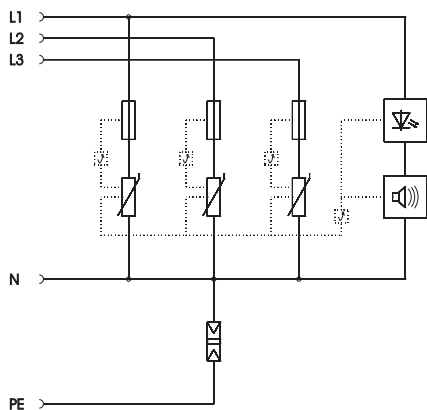
Item no.	5093391
Type	V10 COMPACT-AS
Description 1	V10 Compact
Description 2	with acoustic signalling
Dimension	255V
Smallest sales unit (VG)	1,00 Piece
Weight	15,80 kg/100 pc.

Technical data sheet

Surge arrester V10 Compact with audible signalling
255 V
Item no. 5093391



Technical data



SPD to EN 61643-11	Type 2+3
SPD to IEC 61643-11	Class II+III
Test class, type 2	<input checked="" type="checkbox"/>
Test class, type 3	<input checked="" type="checkbox"/>
Nominal voltage	230,00 V
Maximum continuous voltage AC	255,00 V
Max. continuous operating voltage	255,00 V
Nominal discharge current (8/20)	10 kA
Maximum discharge current (8/20 μ s)	20,00 kA
Arrestor surge current (8/20 μ s) [total]	60,00 kA
Arrestor surge current (8/20) [total]	60,00 kA
Protection level	< 1,1 kV
Follow current quenching capacity (eff) [N-PE]	0,10 kA
Response time	< 25 ns
Maximum back-up fuse	63,00 A
Temperature range	-40+80 °C
Pole version	3+N/PE
Version	3 + NPE
Mounting type	Hat rail 35 mm
Installation type	DIN rail 35 mm
Protection rating	IP20
Protection rating	IP 20
Blow-out	<input type="checkbox"/>
Size	Other
Division unit TE (17.5 mm)	1,5
Remote signalling	<input type="checkbox"/>
Telecommunications contact	<input type="checkbox"/>
Integrated back-up fuse	<input type="checkbox"/>
Max. cable cross-section flexible (fine-wire)	10,00 mm ²
Max. cable cross-section rigid (single wire/multi-wire)	10,00 mm ²
Connection cross-section, flexible	2,50 - 10,00 mm ²
Connection cross-section, rigid	2,50 - 10,00 mm ²
Connection cross-section, multi-wire	2,50 - 10,00 mm ²
Signalling on device	Optical and acoustic