



# VEO

TIME RELAY / ASYMMETRIC FLASHER

## V2ZI10 12-240V AC/DC

Art.Nr.: 125200

## V2ZI10P 12-240V AC/DC

Art.Nr.: 125210



- ✓ 2 functions
- ✓ 10 time ranges
- ✓ Supply voltage 12-240V AC/DC
- ✓ 1 change-over contact
- ✓ Width 22,5mm

### Control elements

- ✓ Fine adjustment t1
- ✓ Setting of time range t1
- ✓ Fine adjustment t2
- ✓ Setting of time range t2

### Status indication

- ✓ LED U/t: Supply voltage
- ✓ LED R: Relay status



## TECHNICAL DATA

### SUPPLY CIRCUIT

Terminals	A1-A2	
Supply voltage	12 ... 240 V AC/DC	
Supply voltage tolerance	-10 / +10 %	
Rated frequency	50 / 60 Hz or DC	
Rated frequency tolerance	48 ... 63 Hz	
Rated consumption	230 V AC	typ. 0,4 W / 0,75 VA
	24 V DC	typ. 0,25 W / 0,25 VA
Standby consumption	230 V AC	typ. 0,16 W / 0,3 VA
	24 V DC	typ. 0,03 W / 0,09 VA
Duty-cycle	100%	
Backup power time	< 30 ms	
Recovery time	> 100 ms	
Drop-out voltage	≥ 7 V	

### CONTROL INPUT

Terminals	A1-B1	
Function	switch of functions	
Type	voltage controlled	
Control voltage	see supply voltage	
Loadable	yes	
Minimum control pulse length	> 60 ms	



# VEO

TIME RELAY / ASYMMETRIC FLASHER

## V2ZI10 12-240V AC/DC

Art.Nr.: 125200

## V2ZI10P 12-240V AC/DC

Art.Nr.: 125210



### TIMING CIRCUIT

Time ranges	10	0,05 ... 1 s
		0,15 ... 3 s
		0,5 ... 10 s
		1,5 ... 30 s
		3 ... 60 s
		9 ... 180 s
		0,5 ... 10 min
		3 ... 60 min
		0,5 ... 10 h
		5 ... 100 h

### RANGE OF FUNCTIONS

Functions	2	lp, li
-----------	---	--------

### STATUS INDICATION

Supply voltage / time lapse	LED U/t (green) on	supply voltage applied
	LED U/t (green) flashes slowly	indication of lapse of time t1
	LED U/t (green) flashes rapidly	indication of lapse of time t2
Relay status	LED R (yellow) on	output relay energized

### OUTPUT CIRCUIT

Terminals		15-16-18
Kind of output		Relay
Number of contacts	change-over contact	1
Contact material		AgNi
Rated voltage (IEC 60947-5-1)		250 V
Maximum switching voltage		400 V AC
Minimum switching voltage / switching current		12 V / 10 mA
Rated current (IEC 60947-5-1)	AC-1	8 A / 250 V
	AC-15	1,5 A / 240 V (B300)
	DC-12	8 A / 24 V
	DC-13	0,1 A / 250 V
Endurance	mechanical	20 x 10 <sup>6</sup> switching cycles
	electrical (AC-1)	100 x 10 <sup>3</sup> switching cycles
Rated frequency of operation	with load	6/min
	without load	1200/min



# VEO

TIME RELAY / ASYMMETRIC FLASHER

## V2ZI10 12-240V AC/DC

Art.Nr.: 125200

## V2ZI10P 12-240V AC/DC

Art.Nr.: 125210



### ACCURACY

Base accuracy	< 1 % (of full scale)
Setting accuracy	< 5 % (of full scale)
Repeat accuracy	< 0,5 % or $\pm 5$ ms
Temperature influence	< 0,01 % / °C
Voltage influence	-
Frequency influence	-

### ENVIRONMENTAL CONDITIONS

Ambient temperature	operation	-25 ... +60 °C
	storage	-40 ... +70 °C
Relative humidity		5 ... 95 %
Vibration	EN 61812-1	10 ... 60 Hz: 0,15 mm; 60 ... 150 Hz: 20 m/s <sup>2</sup>
	EN 60947-1	2 ... 13,2 Hz: 1 mm; 13,2 ... 100 Hz: 7 m/s <sup>2</sup>
Shock	EN 60947-1	$\pm 150$ m/s <sup>2</sup> 11 ms

### GENERAL DATA

Dimensions	W × H × D	22,5 x 67 x 76 mm
Mounting		DIN rail (EN60715)
Mounting position		any
Housing material		PA 66, self-extinguishing plastic, class V-0
Degree of protection	housing	IP40
	terminals	IP20
Electrical connection	V2ZI10	Screw terminal
Wire size	flexible with wire end ferrule	0,5 ... 2,5 mm <sup>2</sup> (20 AWG ... 13 AWG)
	flexible without wire end ferrule	0,5 ... 4 mm <sup>2</sup> (20 AWG ... 12 AWG)
	rigid	0,5 ... 4 mm <sup>2</sup> (20 AWG ... 12 AWG)
Stripping length		8 mm
Tightening torque		max. 1Nm
Electrical connection	V2ZI10P	Push-in terminal
Wire size	flexible with wire end ferrule	0,25 ... 1,5 mm <sup>2</sup> (24 AWG ... 16 AWG)
	flexible with plastic ferrule	0,25 ... 0,75 mm <sup>2</sup> (24 AWG ... 19 AWG)
	flexible without wire end ferrule	0,2 ... 1,5 mm <sup>2</sup> (24 AWG ... 16 AWG)
	rigid	0,2 ... 1,5 mm <sup>2</sup> (24 AWG ... 16 AWG)
Stripping length		8 mm



# VEO

TIME RELAY / ASYMMETRIC FLASHER

## V2ZI10 12-240V AC/DC

Art.Nr.: 125200

## V2ZI10P 12-240V AC/DC

Art.Nr.: 125210



### GENERAL DATA

Prospective current value	1000 A <sub>eff</sub>
Fuse rating	8A fast acting
MTTF	-
Weight	85 g

### ISOLATION DATA

Pollution degree (IEC 61812-1)	2
Overvoltage category (IEC 61812-1)	III
Rated insulation voltage (IEC 61812-1)	supply circuit / output circuit 300 V
Rated impulse withstanding voltage (IEC 61812-1)	supply circuit / output circuit 6 kV
Insulation test voltage (IEC 61812-1)	supply circuit / output circuit 3200 V
Insulation	supply circuit / output circuit protective separation

### STANDARDS

Product standard	IEC 61812-1
Interference immunity	IEC 61812-1 class A
Interference emission	IEC 61812-1 class A
Approvals	



# VEO

TIME RELAY / ASYMMETRIC FLASHER

## V2ZI10 12-240V AC/DC

Art.Nr.: 125200

## V2ZI10P 12-240V AC/DC

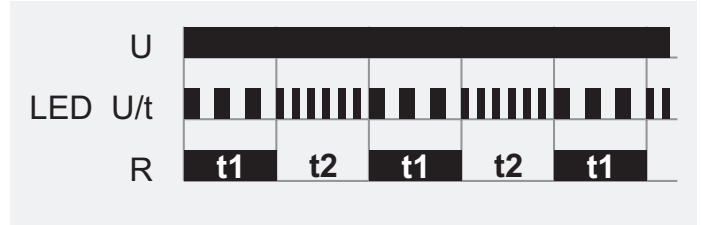
Art.Nr.: 125210



## FUNCTIONS

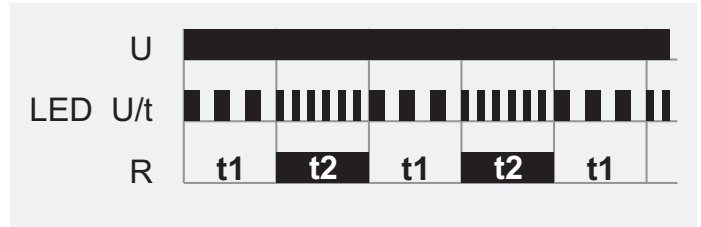
### Asymmetric flasher pulse first (li)

When the supply voltage U is applied, the output relay R switches into on-position (yellow LED illuminated) and the set interval t1 begins (green LED U/t flashes slowly). After the interval t1 has expired, the output relay switches into off-position (yellow LED not illuminated) and the set interval t2 begins (green LED U/t flashes fast). After the interval t2 has expired, the output relay switches into on-position (yellow LED illuminated). The output relay is triggered at the ratio of t1:t2 until the supply voltage is interrupted.



### Asymmetric flasher pause first (lp)

When the supply voltage U is applied, the set interval t1 begins (green LED U/t flashes slowly). After the interval t1 has expired, the output relay R switches into on-position (yellow LED illuminated) and the set interval t2 begins (green LED U/t flashes fast). After the interval t2 has expired, the output relay switches into off-position (yellow LED not illuminated). The output relay is triggered at the ratio of t1:t2 until the supply voltage is interrupted.





# VEO

TIME RELAY / ASYMMETRIC FLASHER

## V2ZI10 12-240V AC/DC

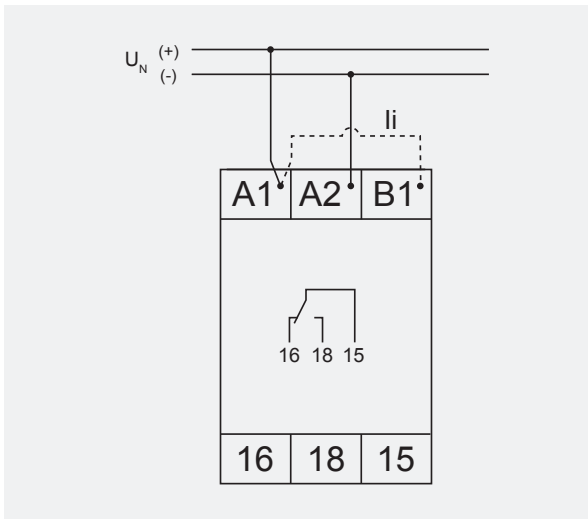
Art.Nr.: 125200

## V2ZI10P 12-240V AC/DC

Art.Nr.: 125210



## CONNECTIONS





# VEO

TIME RELAY / ASYMMETRIC FLASHER

## V2ZI10 12-240V AC/DC

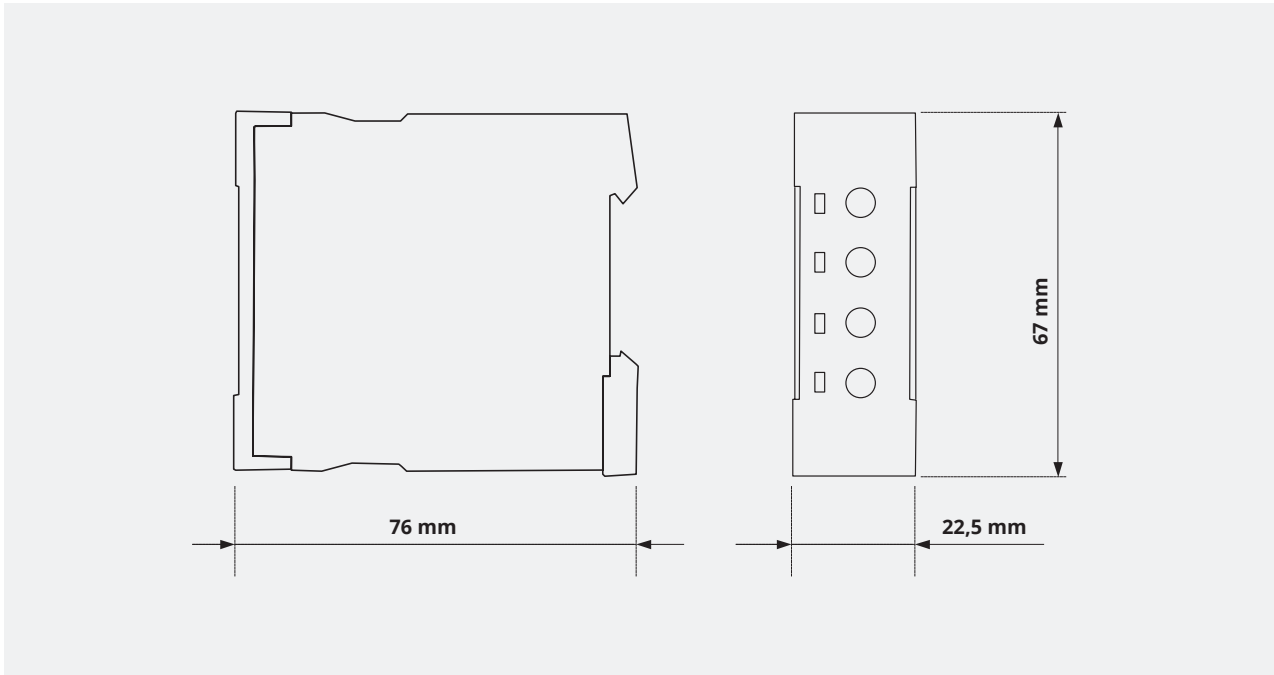
Art.Nr.: 125200

## V2ZI10P 12-240V AC/DC

Art.Nr.: 125210



## DIMENSIONS



## CONTACT



**TELE Haase Steuergeräte Ges.m.b.H.**

Vorarlberger Allee 38  
1230 Vienna  
Austria

CALL US



+43 / 1 / 614 74 - 0

ONLINE SUPPORT



info@tele-online.com