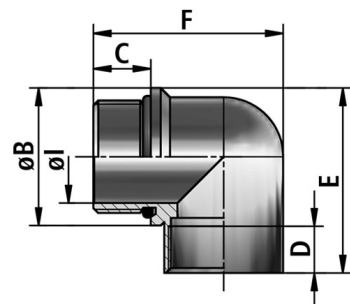


WIC-M | metric thread

Accessories

Connecting elbow, metric inner and metric outer thread



Temperature: -40°C ... +100°C

Material: nickel-plated brass

CHARACTERISTICS:

- Properties: high stability
- low overall height



Characteristics	Unit	Value	Test
Thermal characteristics			
Temperature range	°C	-40°C ... +100°C	

FLEXA No.	Inner thread	Outer thread	Ø I [mm]	Ø B [mm]	C [mm]	D [mm]	E [mm]	F [mm]	Weight [kg/100]	PU [pcs.]
10512300012	M12x1, 5	M12x1, 5	8,0	15,0	5,0	6,5	24,5	24,5	2,100	50
0512300016	M16x1, 5	M16x1, 5	12,0	19,0	5,0	8,0	29,0	30,0	3,240	50
0512300020	M20x1, 5	M20x1, 5	16,0	24,0	6,0	10,0	36,5	36,0	6,100	50
0512300025	M25x1, 5	M25x1, 5	21,0	29,0	7,0	10,0	42,0	43,5	8,960	25
0512300032	M32x1, 5	M32x1, 5	26,0	36,0	7,0	12,0	50,0	51,0	13,840	25
0512300040	M40x1, 5	M40x1, 5	35,0	46,0	8,0	19,0	66,0	65,5	31,800	10
0512300050	M50x1, 5	M50x1, 5	45,0	56,0	9,0	19,0	76,5	77,5	44,700	10

<sup>3</sup> Article contains up to 4% lead, which is listed in SVHC list.

Recommendations for any areas of applications, products, or product combinations are issued to the best of FLEXA's knowledge and experience. The user is requested to check applicability of FLEXA products to specific applications and purposes prior to the use of the particular products. All documentation, illustrations, and charts published are subject to copyright and must not be copied, changed, used, or modified. Technical drawings, certificates, authorizations, and results by the FLEXA lab will be provided upon request. FLEXA will not be held liable for typographical or other errors and incorrect drawings. Technical modifications are subject to change without prior notice.