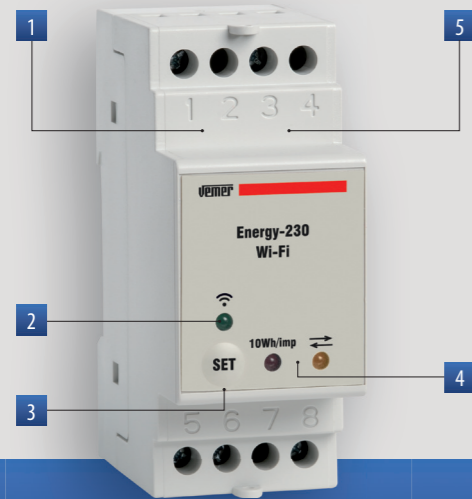


Energy meters

DIN rail energy meter designed to measure the consumption of active energy into the grid in single-phase systems. The current insertion is direct for values up to 40A. The integrated Wi-Fi module is used to manage the device remotely using your smartphone or tablet. You need to connect the device to your home router and install the dedicated App on your smartphone or tablet, available free of charge for Android and iOS devices. On the application it is possible to view the measurements of total energy, partial energy and instantaneous power. It has a pulse output for remote energy counting.



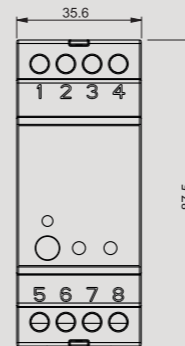
ENERGY-230 Wi-Fi

- 1 Wi-Fi module compatible with 802.11 b/g/n standard
- 2 LEDs indicating Wi-Fi network connection status
- 3 Device configuration button
- 4 LEDs indicating operating status
- 5 Bluetooth interface for device configuration
- 6 Free App for iOS and Android smartphones and tablets

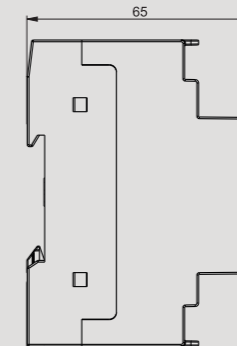


DIMENSIONS (mm)

Front view

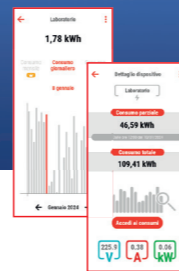
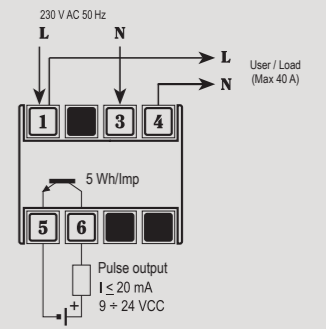


Side view



CONNECTION DIAGRAM

Diagram



MEASUREMENT AND CONTROL

SINGLE-PHASE METERS WITH DIRECT INSERTION WITH WI-FI AND BLUETOOTH INTERFACE

- Direct insertion max 40 A
- BLE 5.0 Bluetooth Interface
- Wi-Fi interface with standard 802.11 b/g/n
- Operating frequency band: 2.4 GHz
- Precision: class B
- 2 independent meters for the measurements of:
 - total and partial energy
- 3 instantaneous quantities measured:
 - voltage, current, power
- "Local operation lock" function: allows management of the device exclusively with the App (keyboard presses are ignored)

App features

Characteristics		Free Version	Premium Version
Partial consumption	display	■	■
	total consumption	■	■
	current	■	■
	voltage	■	■
Multi-user	power	■	■
		■	■
Monthly consumption	detail		■
	daily	■	■
	hourly	■	■
Consumption history download			■
Power threshold alarm			■
Exceeding of consumption warning			■
Partial meter reset		■	■
Transfer of devices to other users			■

TECHNICAL INFORMATION

GENERAL CHARACTERISTICS

Power supply	Vac	230 (-15 ÷ +10%) 50/60 Hz
Absorption	VA (W)	4.7 (1.5)
Starting current I _{st}	mA	20
Minimum current I _{min}	A	0.25
Reference current I _{ref}	A	5
Maximum current I _{max}	A	40
Indicator LEDs		3 indicator LEDs operating status
Precision		Class B
Current circuit absorption	VA	< 4
Total energy resolution	kWh	1
Partial energy resolution	kWh	0.1

Operating temperature	°C	-10 ÷ 45
Storage temperature	°C	-25 ÷ 70
Humidity	RH	10 ÷ 90% non-condensing
Maximum cable section	mm ²	6
Container		2 DIN modules
Degree of protection		IP20 / 51 on the front
Opti-isolated pulse output		
Pulse weight	Wh	5
Duration	ms	100
Voltage	Vdc	9 ÷ 24
Current	mA	< 20

Code	Model	Description	Dimensions
VE794600	Energy-230 Wi-Fi	Single-phase active energy meter with Wi-Fi interface	2 DIN modules

REGULATORY REFERENCES

Compliance with the Community Directives: 2014/53/EU (RED) is declared with reference to the following Standards:

- EN 61010-1 • EN 50470-1 • EN 50470-3 • EN 300 328 • EN 301 489-1 • EN 301 489-17